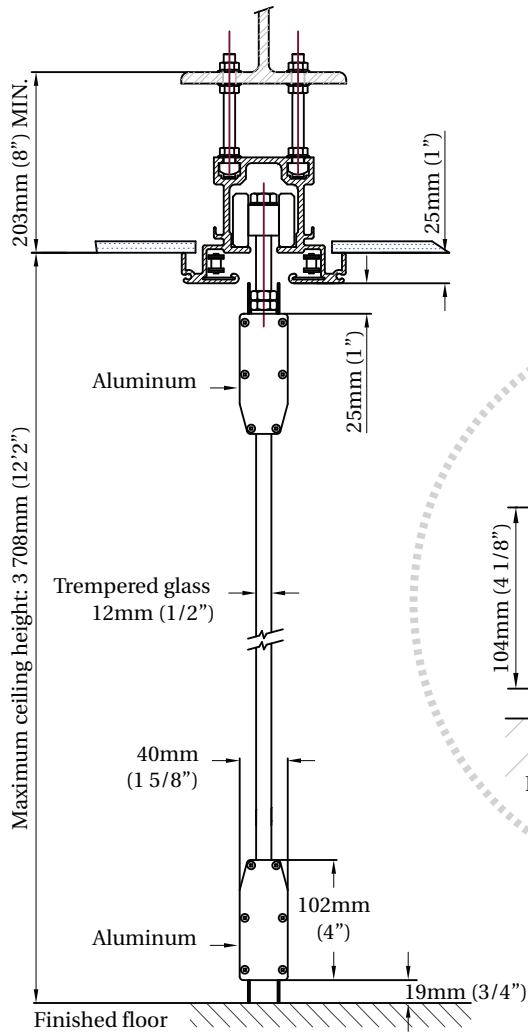


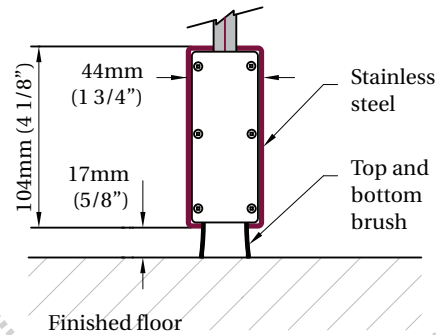
GLASS WALLS

G600M SERIES MOTORIZED GLASS WALLS

CORFLEX-EN-12-2015



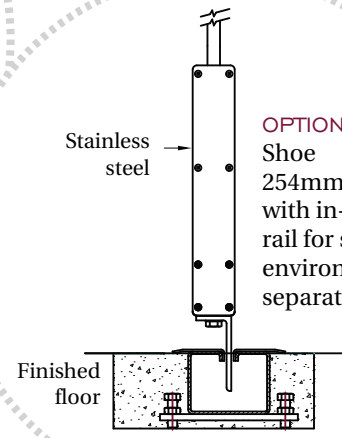
OPTION
Stainless steel



FEATURES

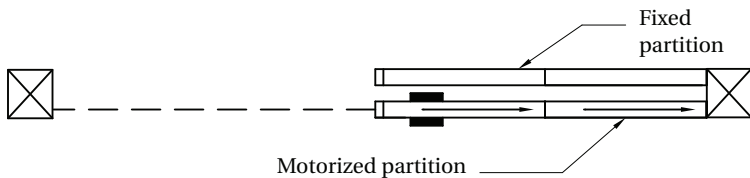
- ▶ Interconnected panels
- ▶ Movement in straight line by the activation of the electric motor
- ▶ Maximum height: 3 708mm (12'2")
- ▶ Glass mechanically fastened to the upper and lower profiles by two metal studs
- ▶ Top supported
- ▶ No vertical mullion
- ▶ No floor track

OPTION
Shoe
254mm (10")
with in-floor
rail for sterile
environment
separation

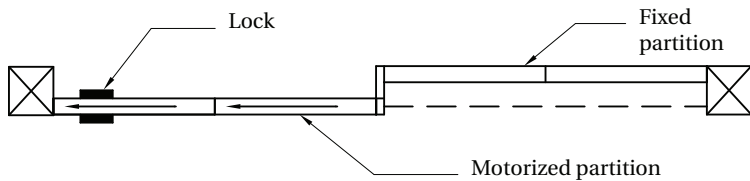


CLOSURE OPTIONS

GLASSWALL OPENING



GLASSWALL CLOSURE



ELEVATION VIEW

