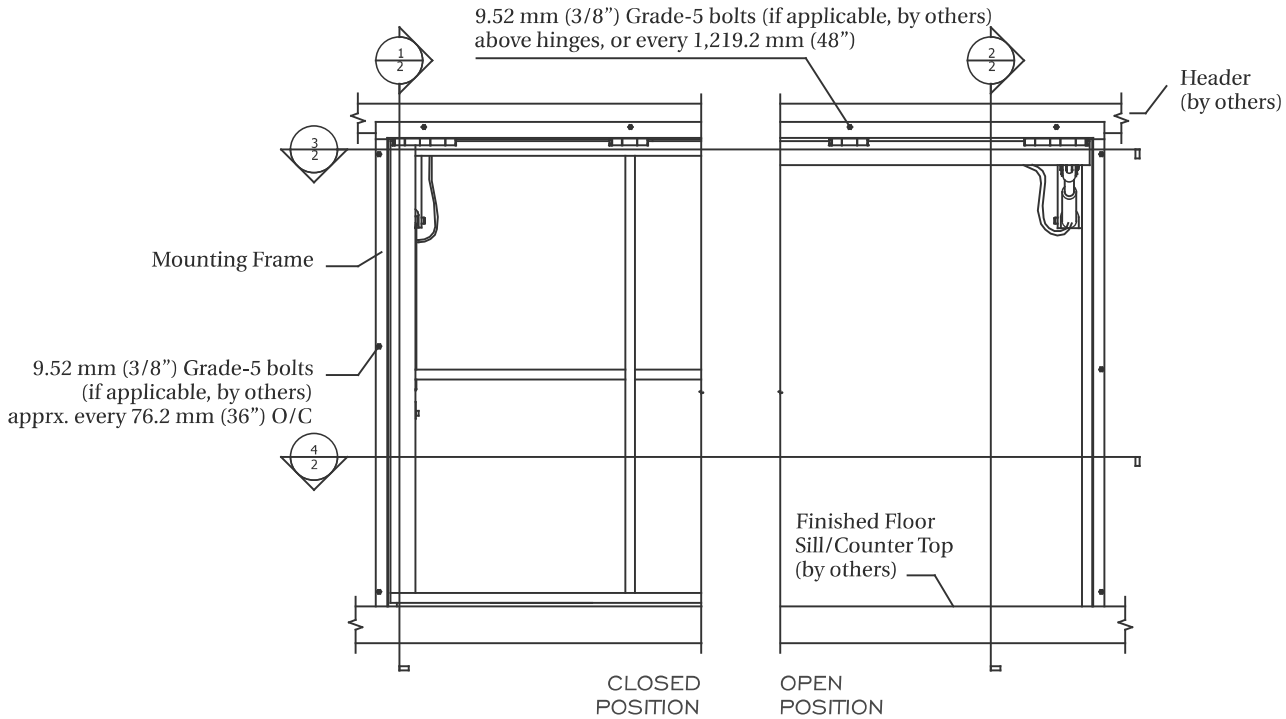


# VERTICAL LIFT DOORS

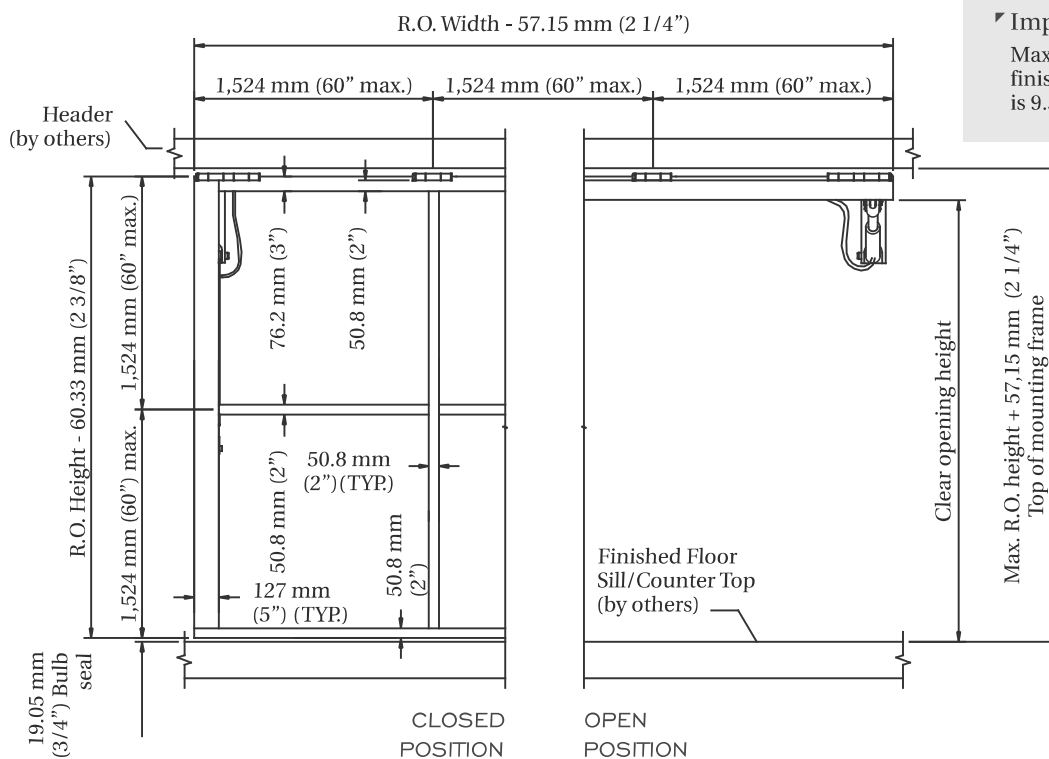
HS 100 SERIES - HYDRAULIC DOORS  
SINGLE SWING SYSTEM

# CORFLEX

## EXTERIOR ELEVATION VIEW (WITH FRAMES)



## EXTERIOR ELEVATION VIEW (WITHOUT FRAMES)



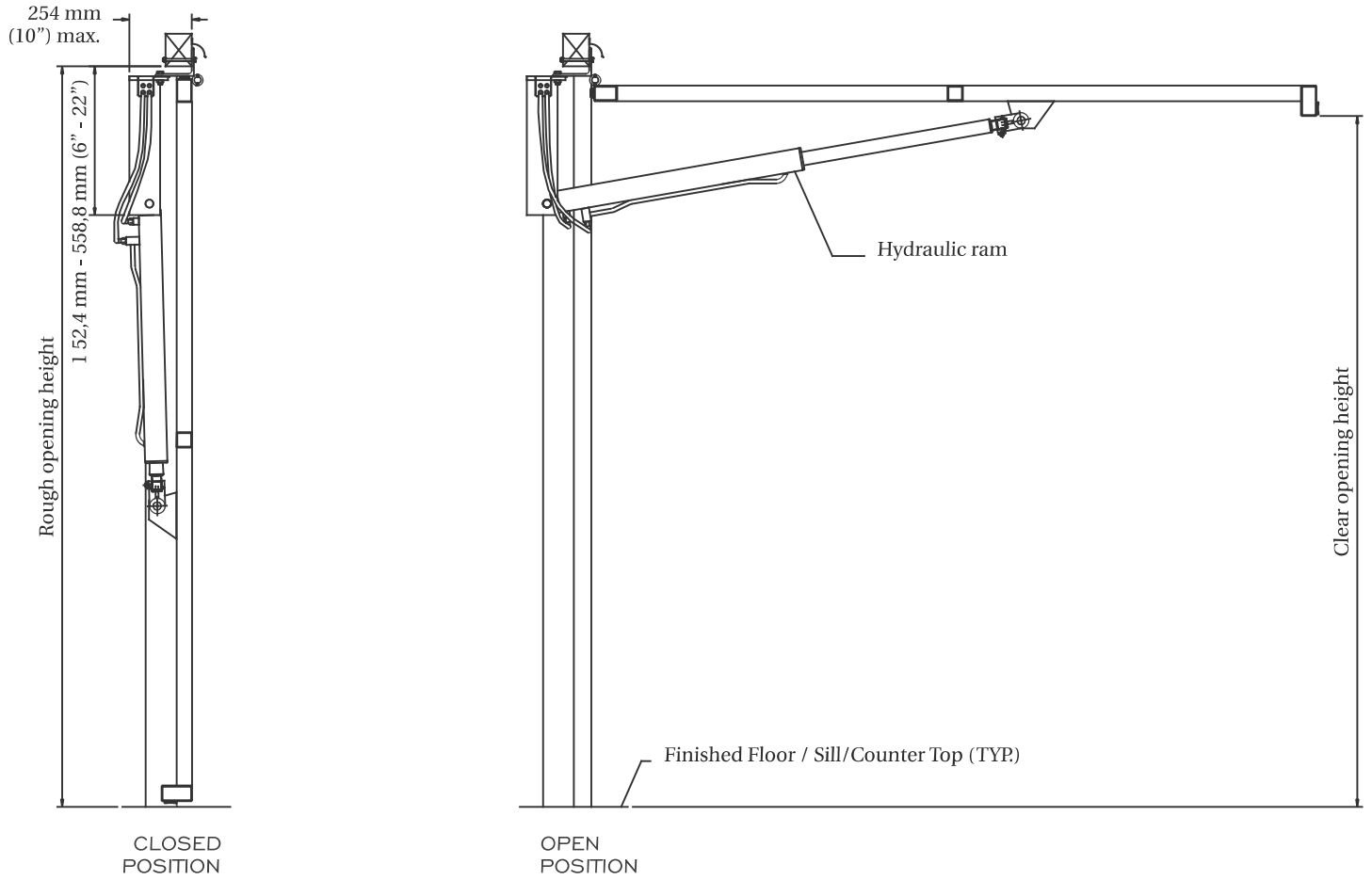
**Important Notice**  
Maximum allowable rise of finished floor between jambs is 9.52 mm (3/8")

# VERTICAL LIFT DOORS

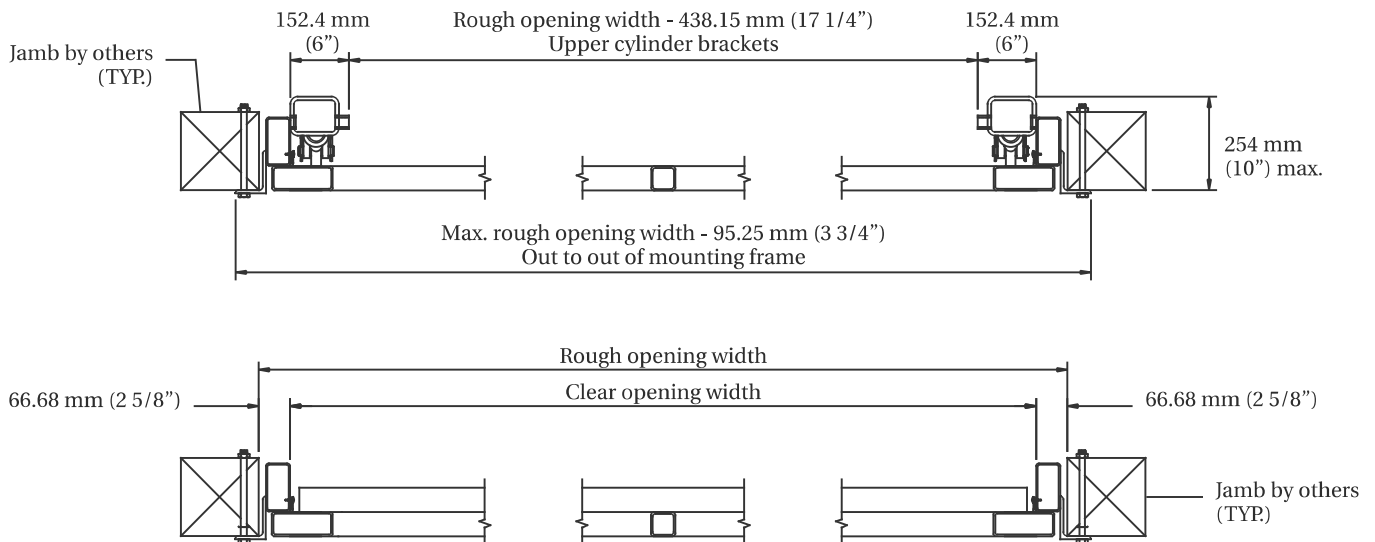
HS 100 SERIES - HYDRAULIC DOORS  
SINGLE SWING SYSTEM

# CORFLEX

## VERTICAL SECTION



## HORIZONTAL SECTION



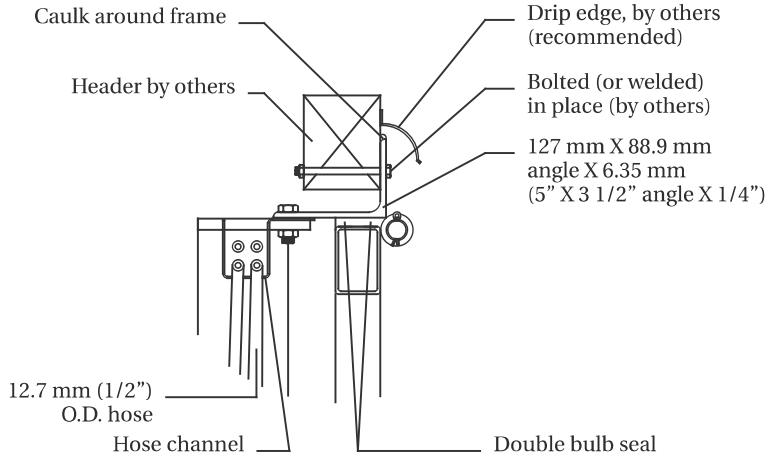
# VERTICAL LIFT DOORS

HS 100 SERIES - HYDRAULIC DOORS  
SINGLE SWING SYSTEM

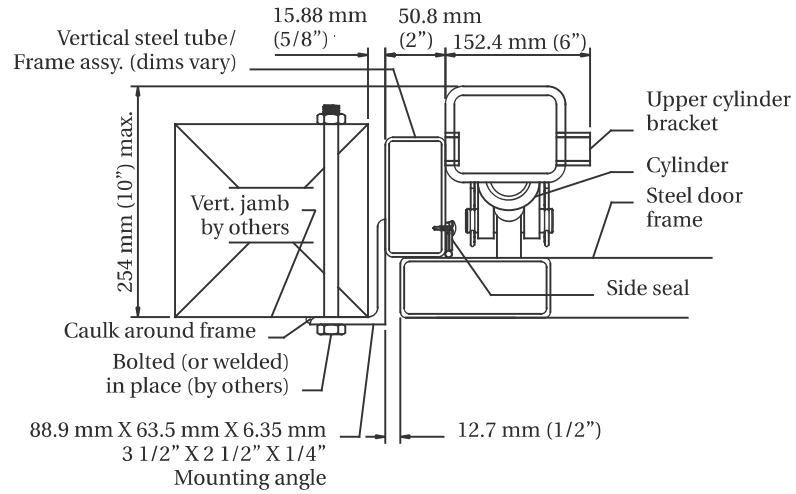
# CORFLEX

## DETAILS

### HEAD



### JAMB



### INT. HORIZONTAL



### BASE

