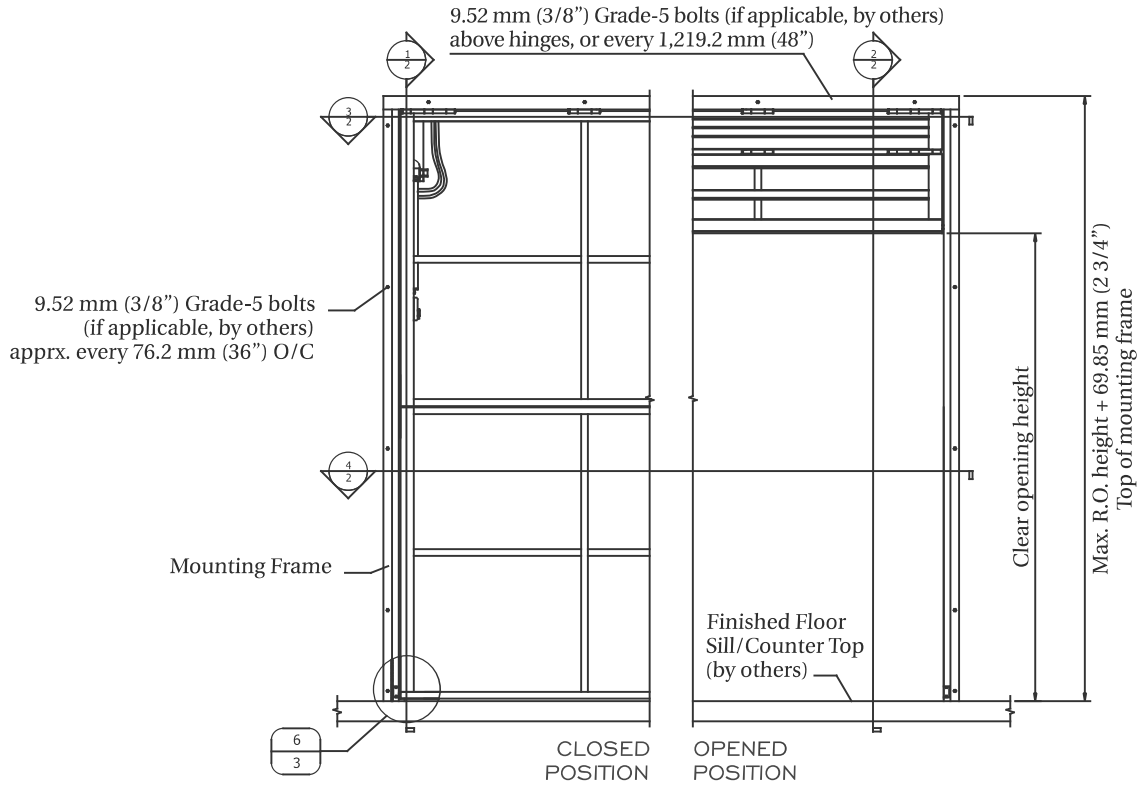


# VERTICAL LIFT DOORS

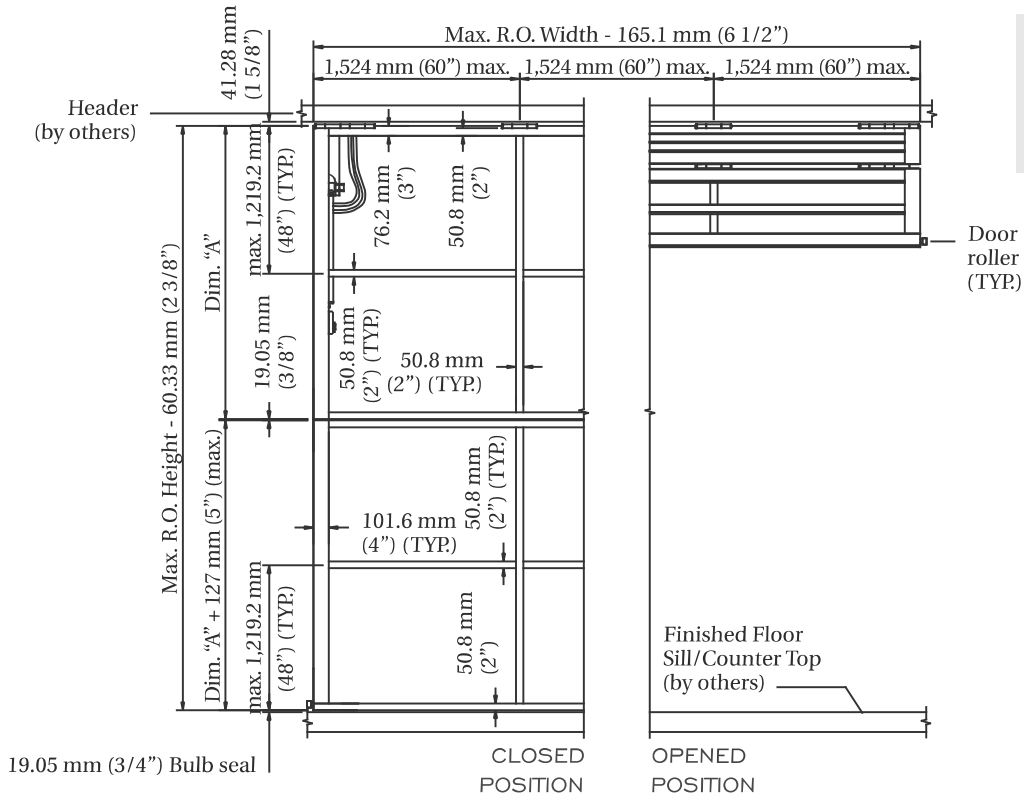
HS200 SERIES - HYDRAULIC DOORS  
BI-FOLD SYSTEM

# CORFLEX

## EXTERIOR ELEVATION VIEW (WITH FRAMES)



## EXTERIOR ELEVATION VIEW (WITHOUT FRAMES)



### Important Notice

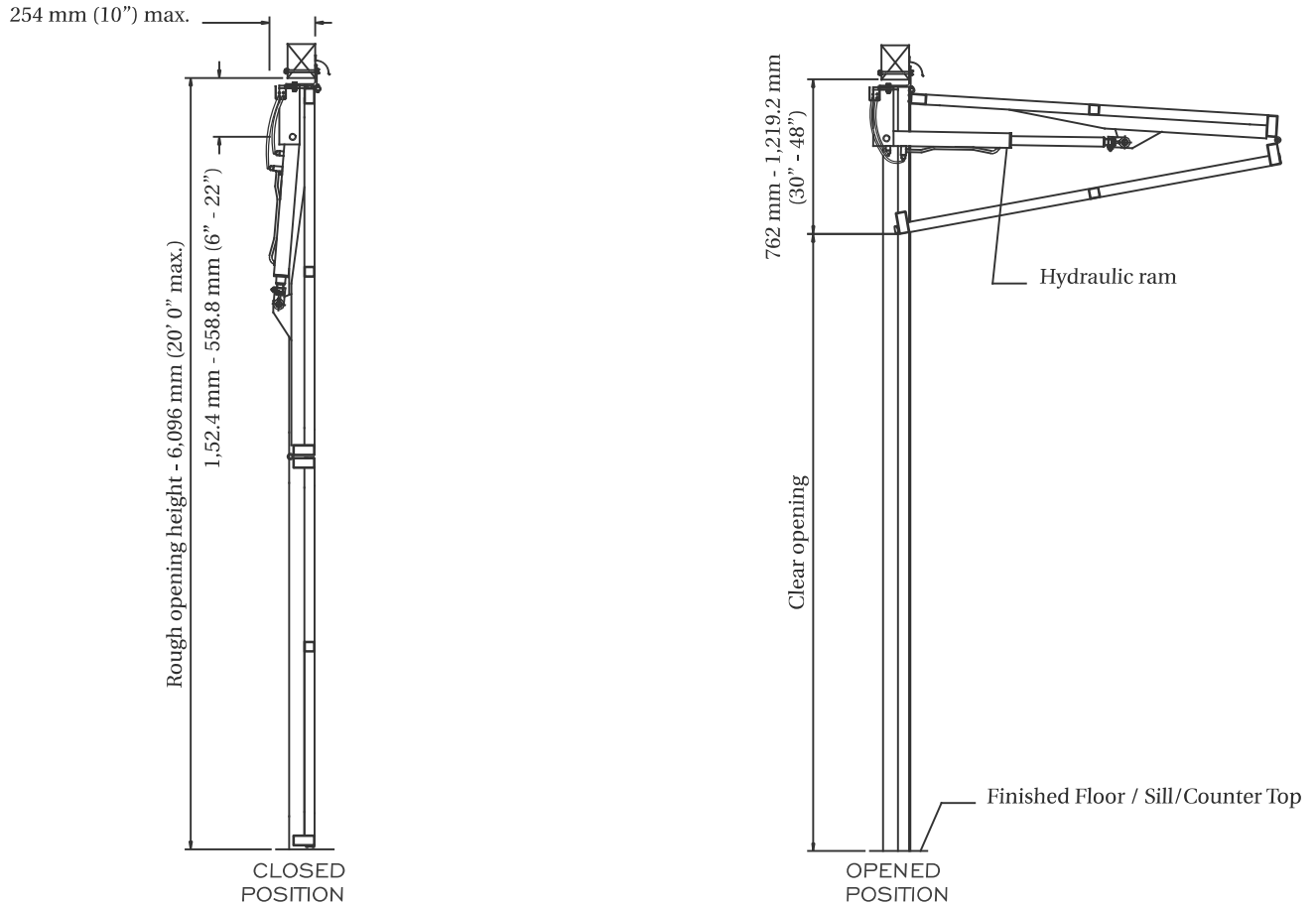
Maximum allowable rise of finished floor between jambs is 9.52 mm (3/8")

# VERTICAL LIFT DOORS

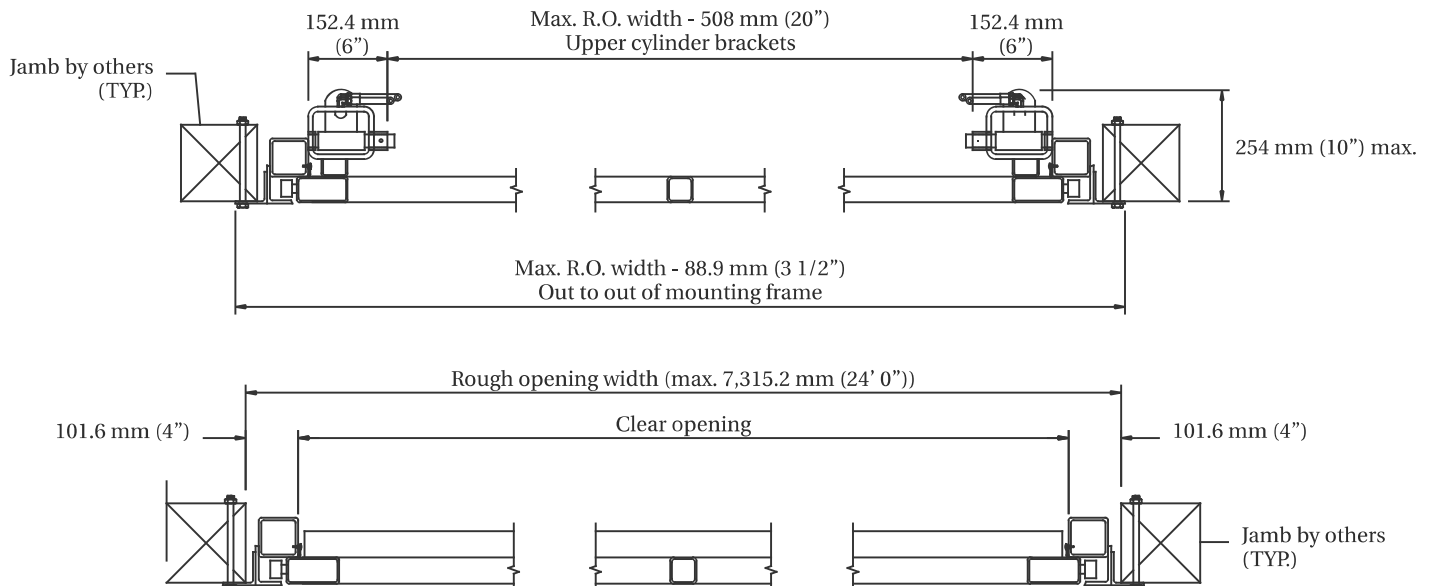
HS200 SERIES - HYDRAULIC DOORS  
BI-FOLD SYSTEM

# CORFLEX

## VERTICAL SECTION



## HORIZONTAL SECTION



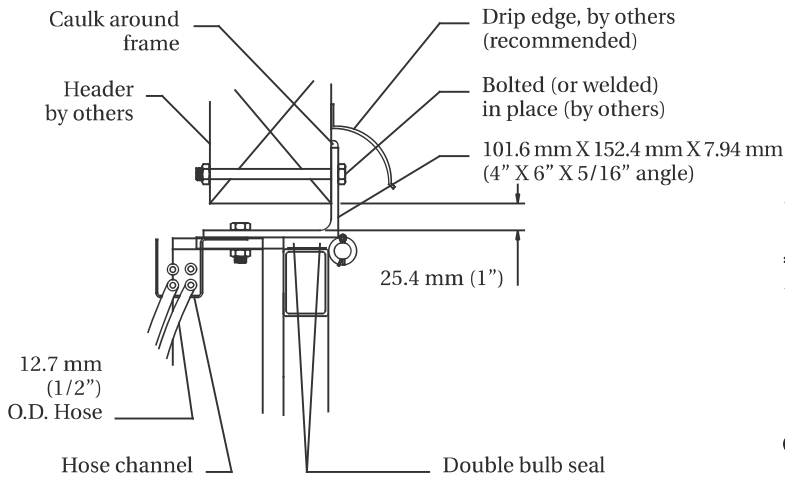
# VERTICAL LIFT DOORS

HS200 SERIES - HYDRAULIC DOORS  
BI-FOLD SYSTEM

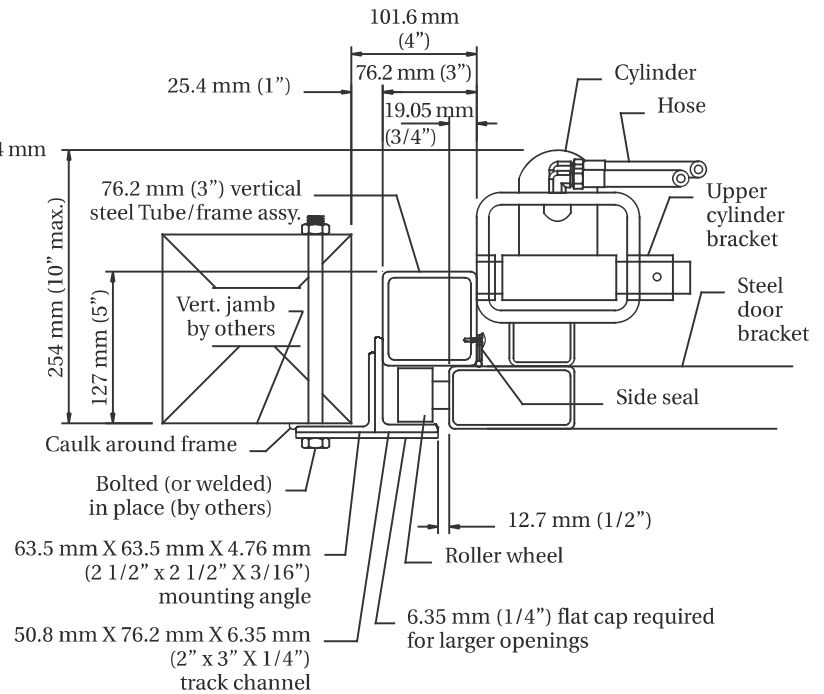
# CORFLEX

## DETAILS

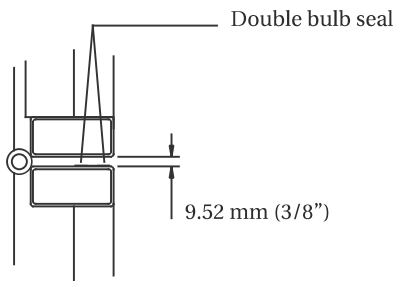
### HEAD



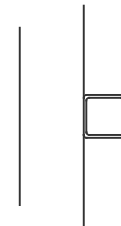
### JAMB



### MID-HINGE



### INT. MEMBER



### BASE

