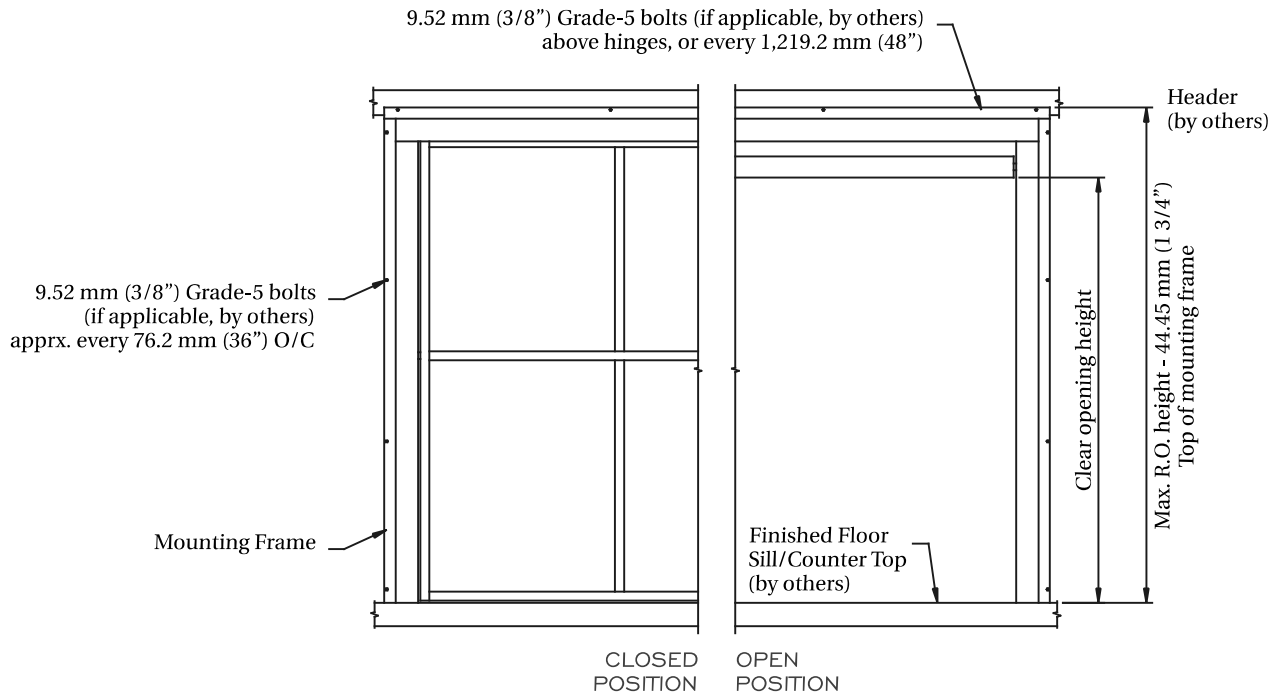


VERTICAL LIFT DOORS

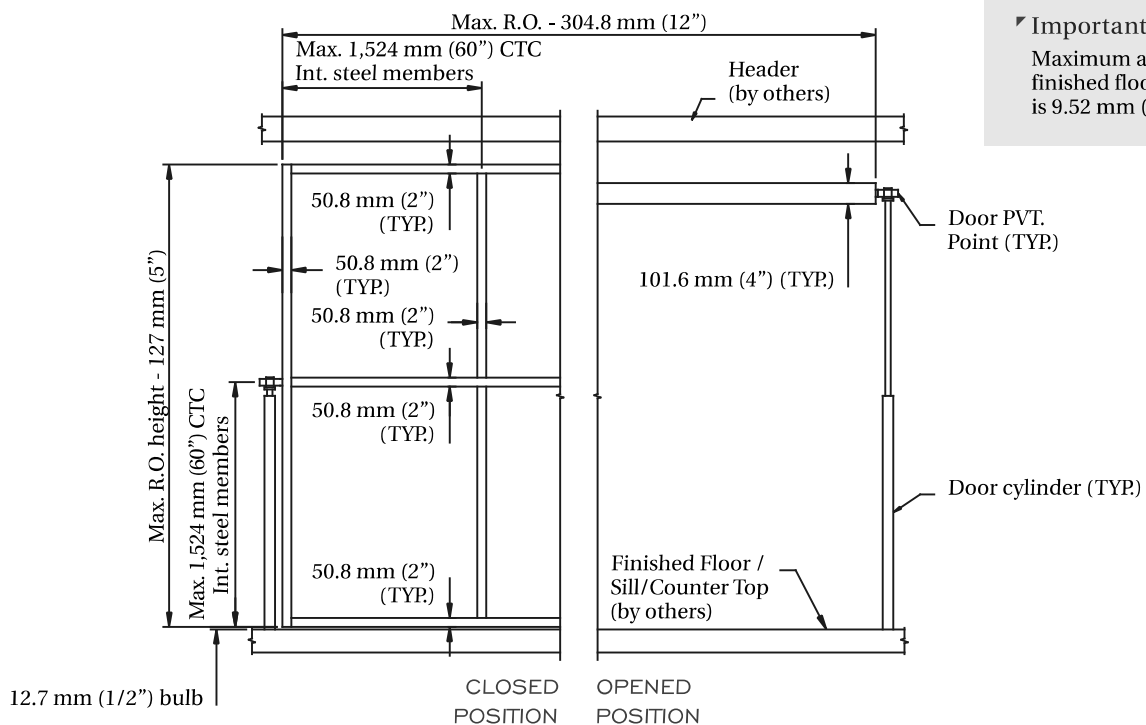
HS300 SERIES - HYDRAULIC DOORS
50/50 SYSTEM

CORFLEX

EXTERIOR ELEVATION VIEW (WITH FRAMES)



EXTERIOR ELEVATION VIEW (WITHOUT FRAMES)



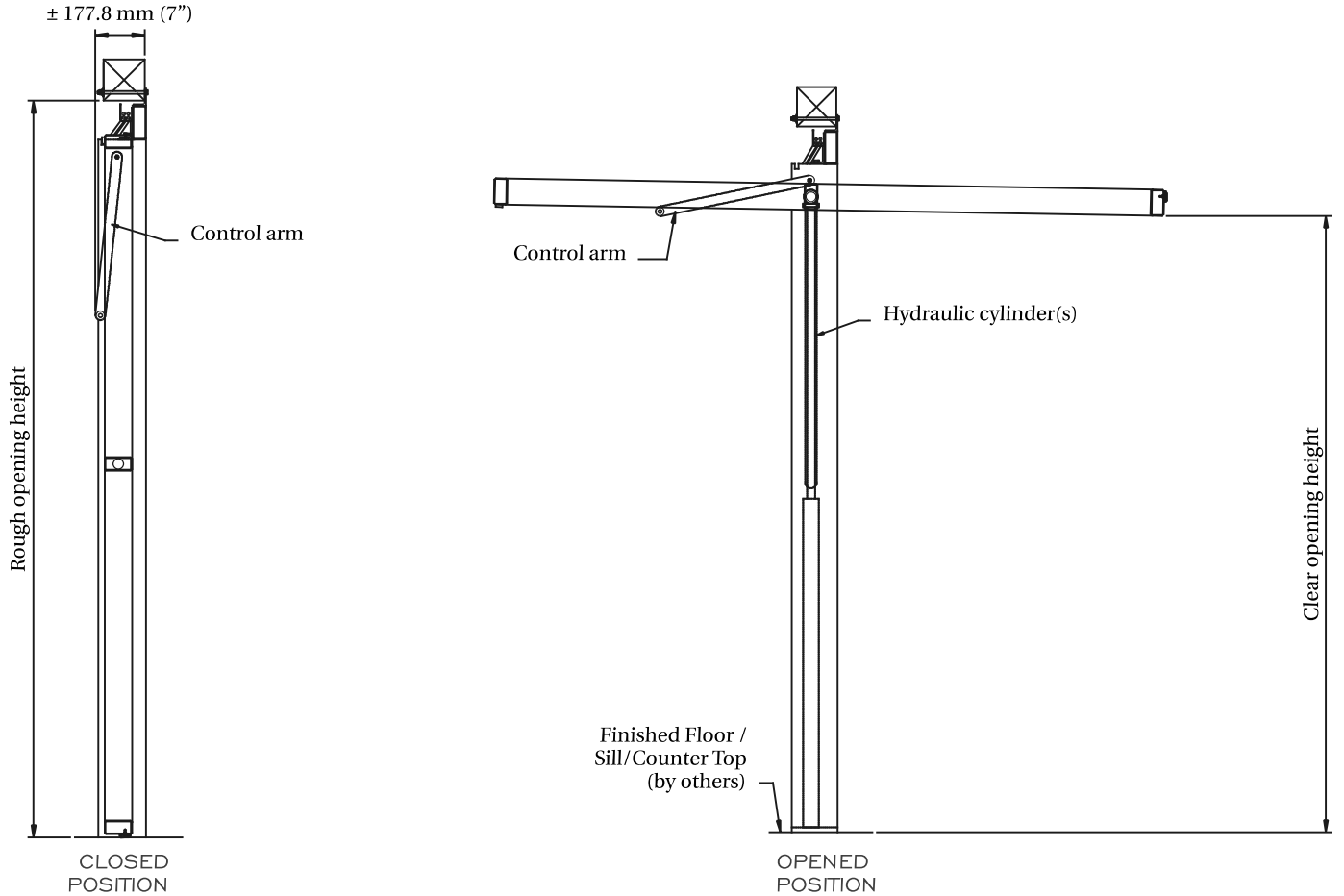
Important Notice
Maximum allowable rise of finished floor between jambs is 9.52 mm (3/8")

VERTICAL LIFT DOORS

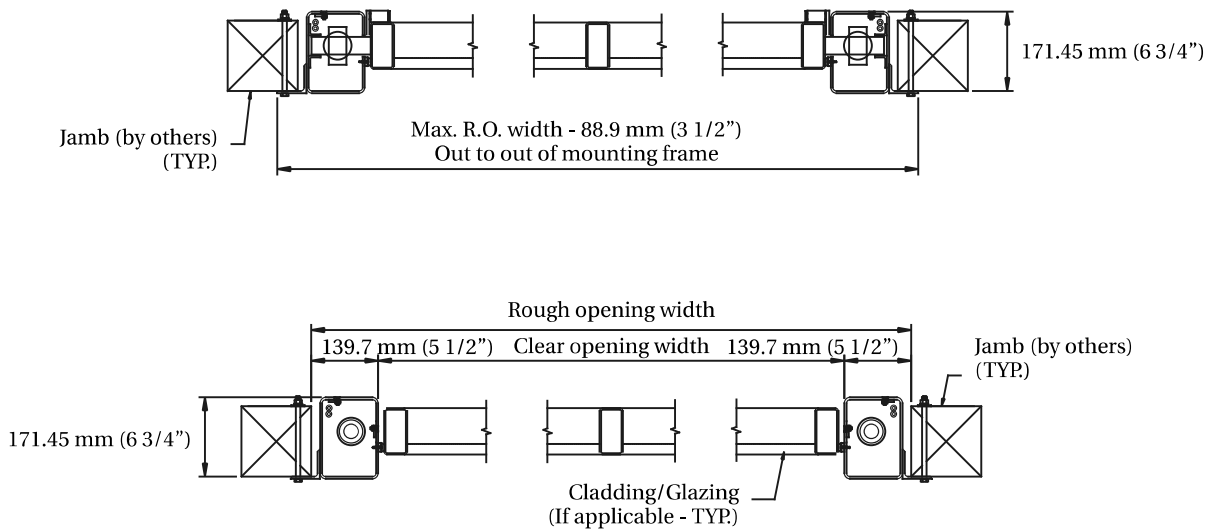
HS300 SERIES - HYDRAULIC DOORS
50/50 SYSTEM

CORFLEX

VERTICAL SECTION



HORIZONTAL SECTION



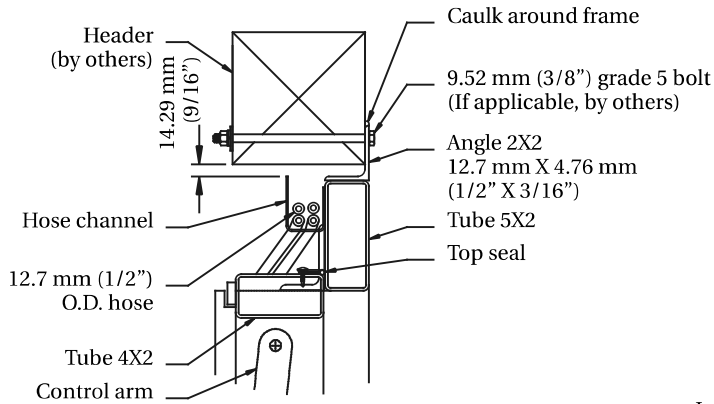
VERTICAL LIFT DOORS

HS300 SERIES - HYDRAULIC DOORS
50/50 SYSTEM

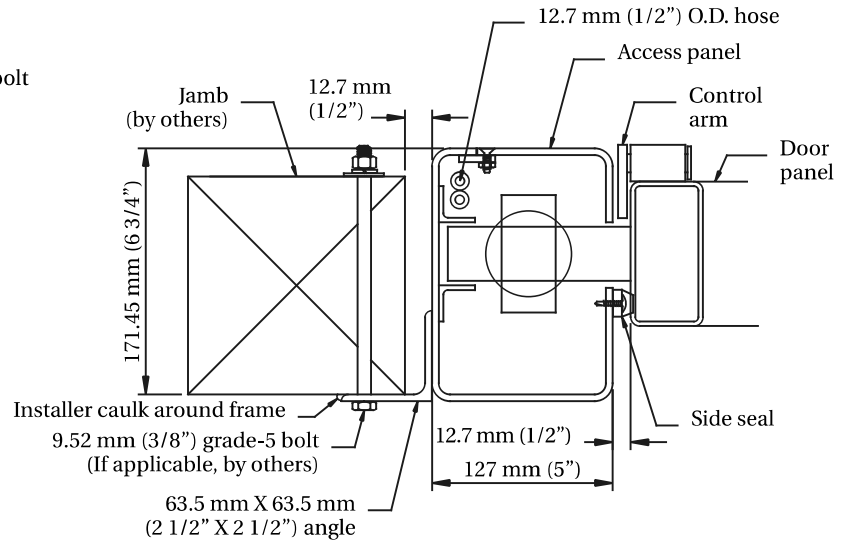
CORFLEX

DETAILS

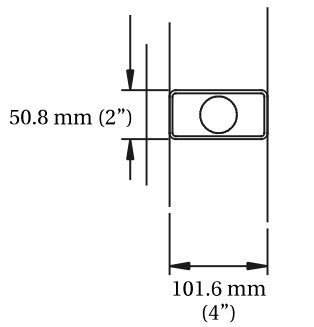
HEAD



JAMB



INT. HORIZONTAL



BASE

