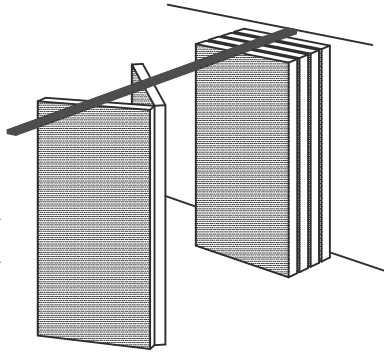
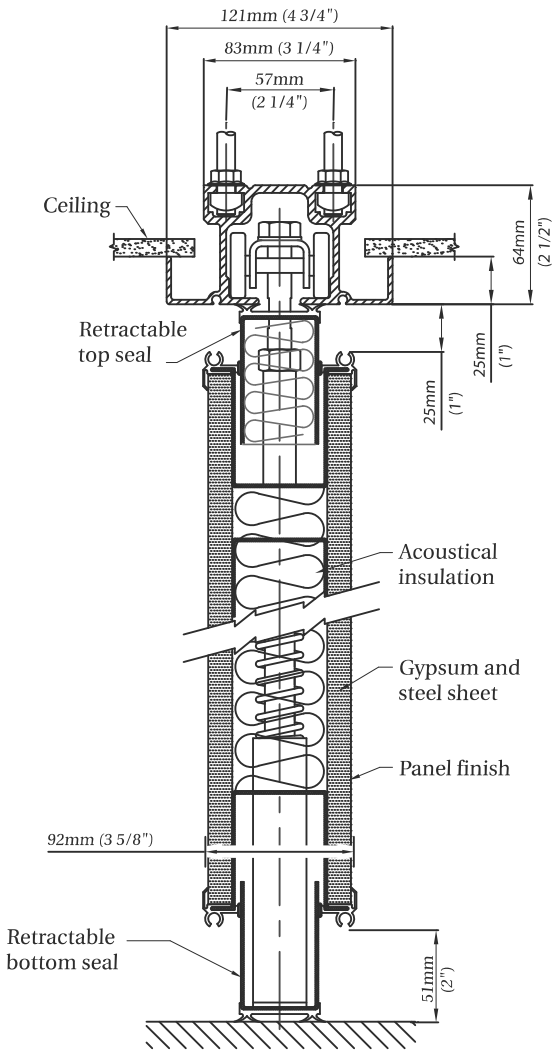


OPERABLE PARTITIONS

5500 SERIES - PAIRED PANELS

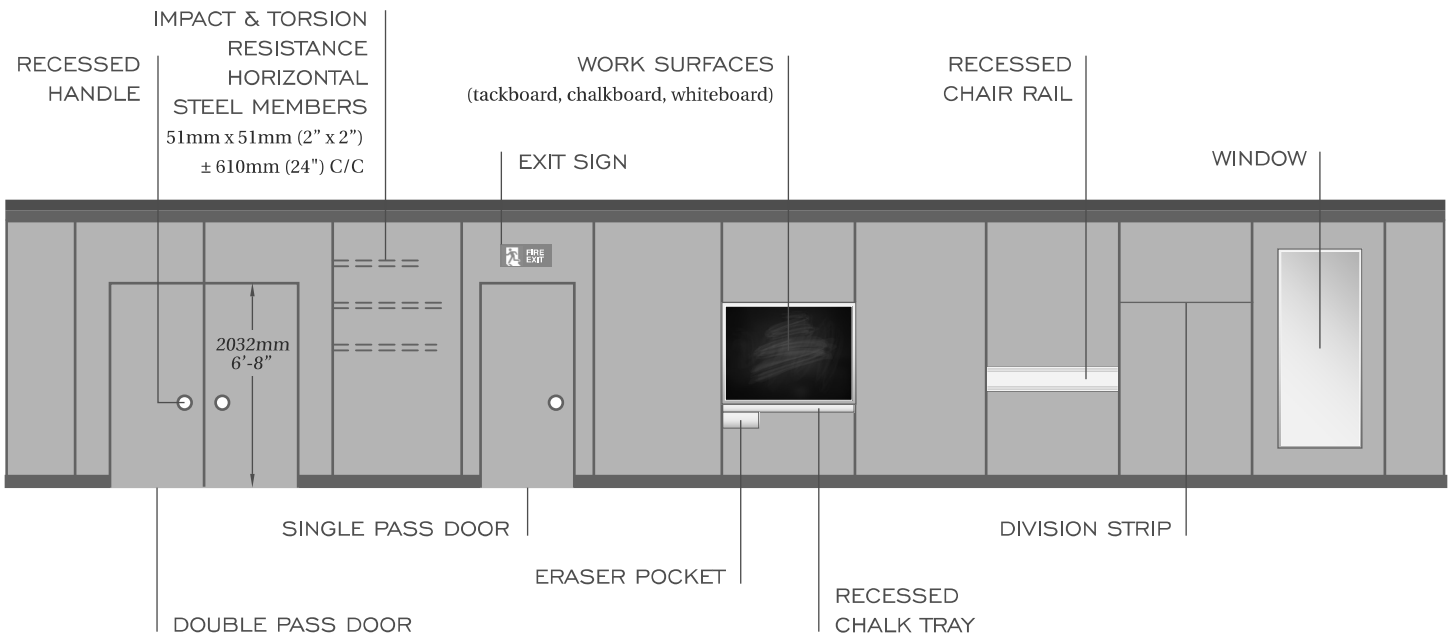
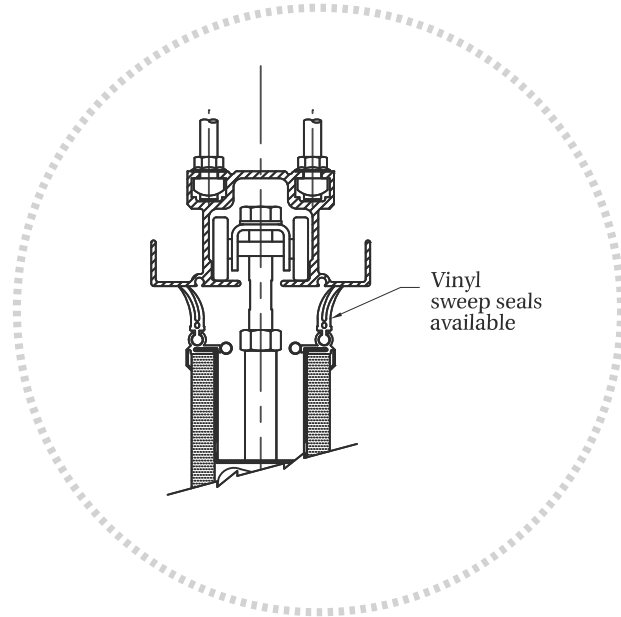
AVAILABLE STC: 43, 47, 49, 50, 52, 53, 54

CORFLEX



FEATURES

- ▣ Manual operation
- ▣ Steel frames available in: beige, grey or black
- ▣ Retractable seals at top and bottom of panels
- ▣ No floor track



OPERABLE PARTITIONS

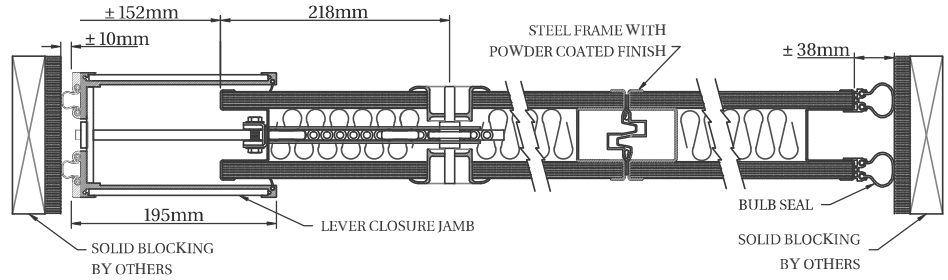
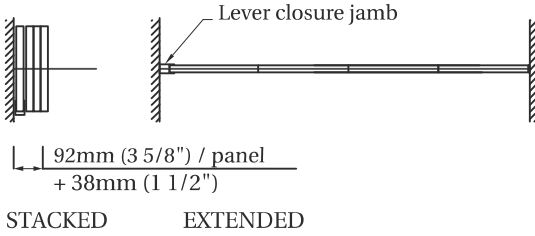
5500 SERIES - PAIRED PANELS

AVAILABLE STC: 43, 47, 49, 50, 52, 53, 54

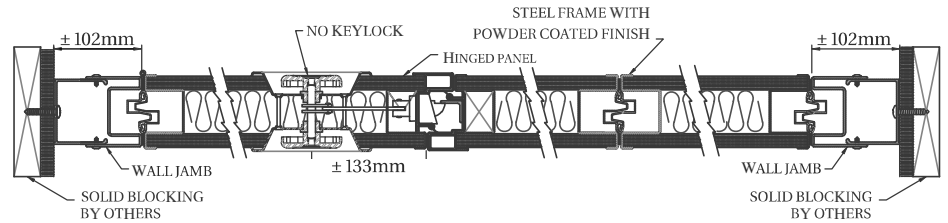
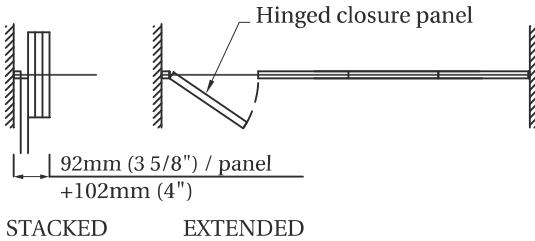
CORFLEX

CLOSURE OPTIONS

EXPANDABLE PANEL CLOSURE



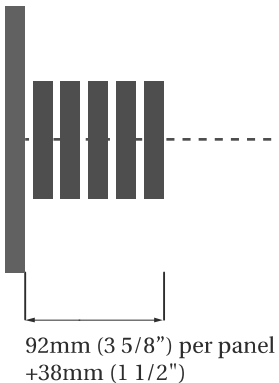
HINGED PANEL CLOSURE



LAYOUT OPTIONS

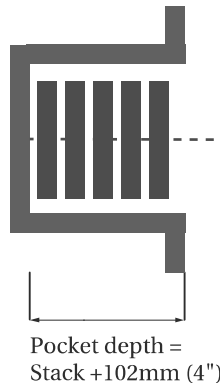
STACK FORMULAS

Max. panel width
1220mm (48")



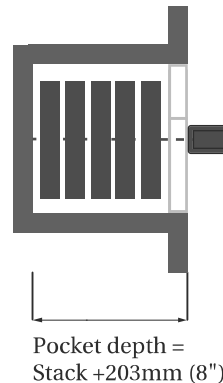
NO POCKET DOOR

Pocket width =
panel width
+ 300mm (11 7/8")



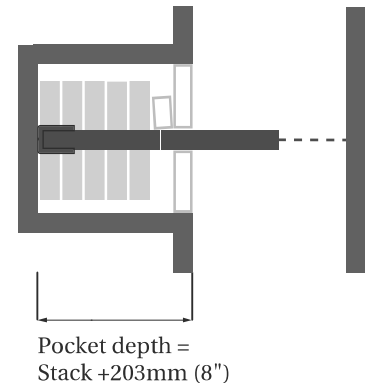
TYPE 2 ACOUSTICAL POCKET DOOR

Pocket width =
panel width
+ 400mm (15 3/4")



TYPE 3 POCKET DOOR

Pocket width =
panel width
+ 400mm (15 3/4")



OPERABLE PARTITIONS

SERIES 5500 - PAIRED PANELS

AVAILABLE STC: 43, 47, 49, 50, 52, 53, 54

CORFLEX

PAIRED PANELS

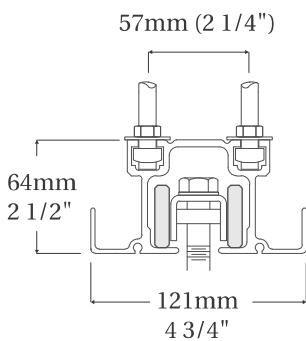
	SERIES 5500						
STC	43	47	49	50	52	53	54
KG PER M ²	30,0	34,2	43,1	48,9	56,0	58,0	58,0
LB PER FT ²	6,1	7,0	8,8	10,0	11,4	11,9	11,9

TRACKS AND SUSPENSIONS

#38 TRACK SYSTEM

Paired panels

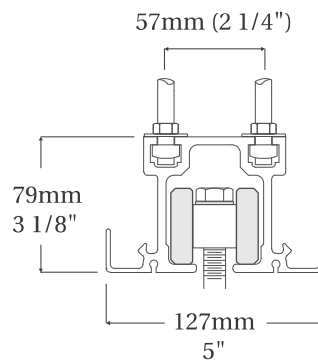
Maximum load per panel:
181 kg (400 lb)



#40 TRACK SYSTEM

Paired panels

Maximum load per panel:
409 kg (900 lb)



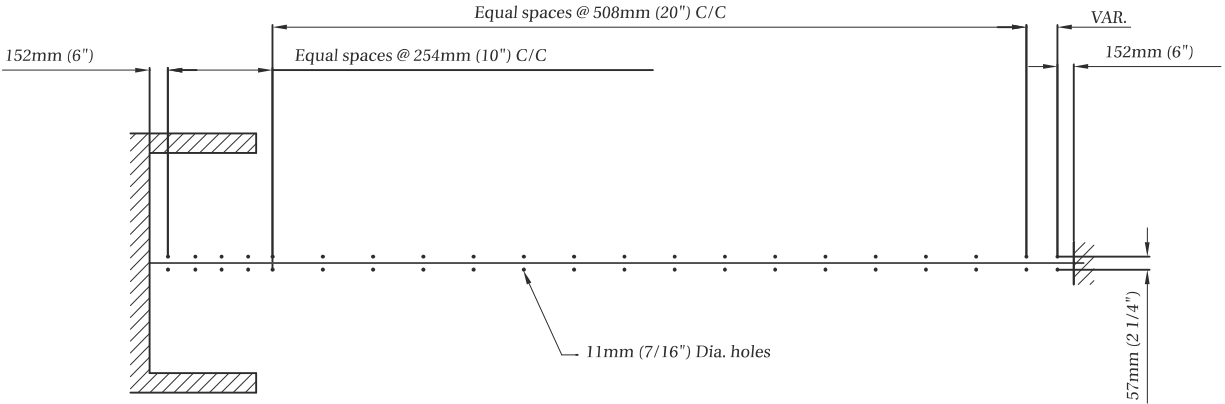
OPERABLE PARTITIONS

SERIES 5500 - PAIRED PANELS

AVAILABLE STC: 43, 47, 49, 50, 52, 53, 54

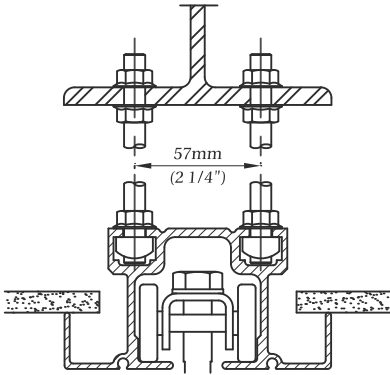
CORFLEX

TYPICAL HANGER ROD LAYOUT

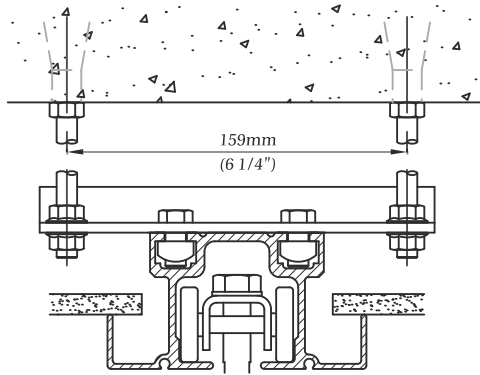


TRACK AND HANGING DETAILS

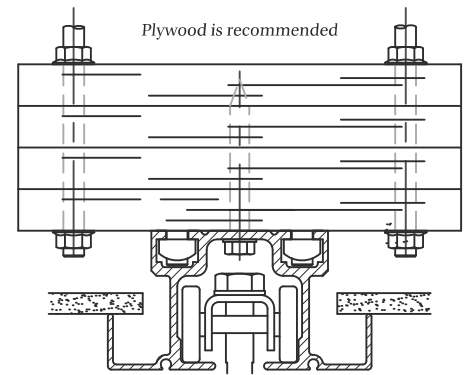
STEEL BEAM



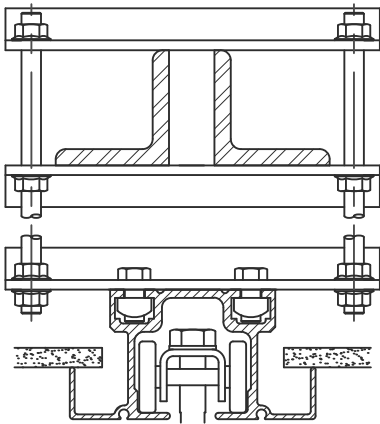
CONCRETE SLAB



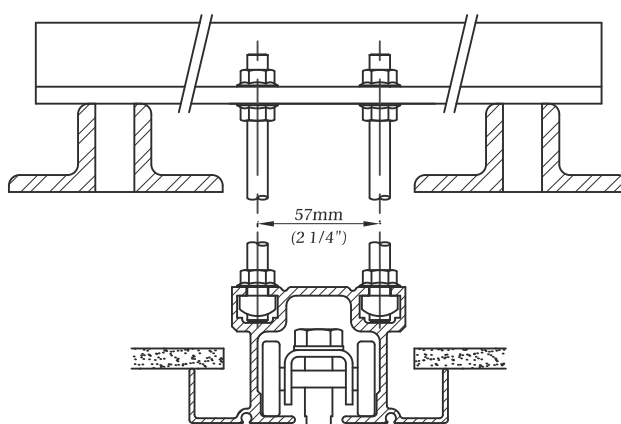
WOODEN BEAM



CENTERED ON ONE JOIST



BETWEEN TWO JOISTS



C-CLAMPS ON JOIST

