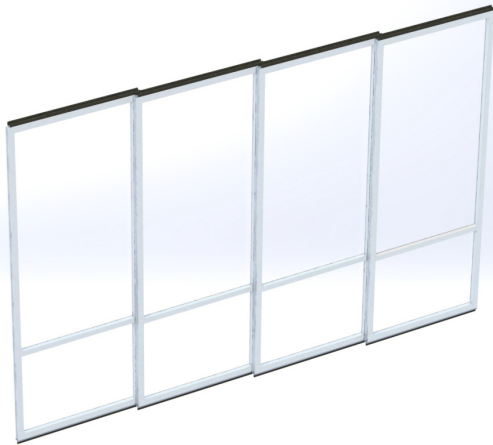


# CORFLEX



## G500P SERIES

Slim framed parallel stacking glass partitions

### FEATURES

- Sliding system with parallel tracks
- Anodized aluminum frames
- Top supported system
- Up to 6 parallel tracks
- Horizontal mullions (available)
- Possibility of replacing glass with other materials
- Recessed handle with available lock

### PROPERTIES

#### 6 MM GLASS

##### MAXIMUM HEIGHT PER PANEL

3048mm (10 ft) with mullions

##### MAXIMUM WIDTH PER PANEL

1219mm (4 ft)

##### SYSTEM WEIGHT

17,1 kg/m<sup>2</sup> - (3,5 lbs/ft<sup>2</sup>)

##### TYPE OF GLASS

Tempered glass

##### TOP AND BOTTOM SEALS

Flexible sound seals

#### 12 MM GLASS

##### MAXIMUM HEIGHT PER PANEL

3048mm (10 ft) with mullions

##### MAXIMUM WIDTH PER PANEL

1219mm (4 ft)

##### SYSTEM WEIGHT

30,4 kg/m<sup>2</sup> - (6,2 lbs/ft<sup>2</sup>)

##### TYPE OF GLASS

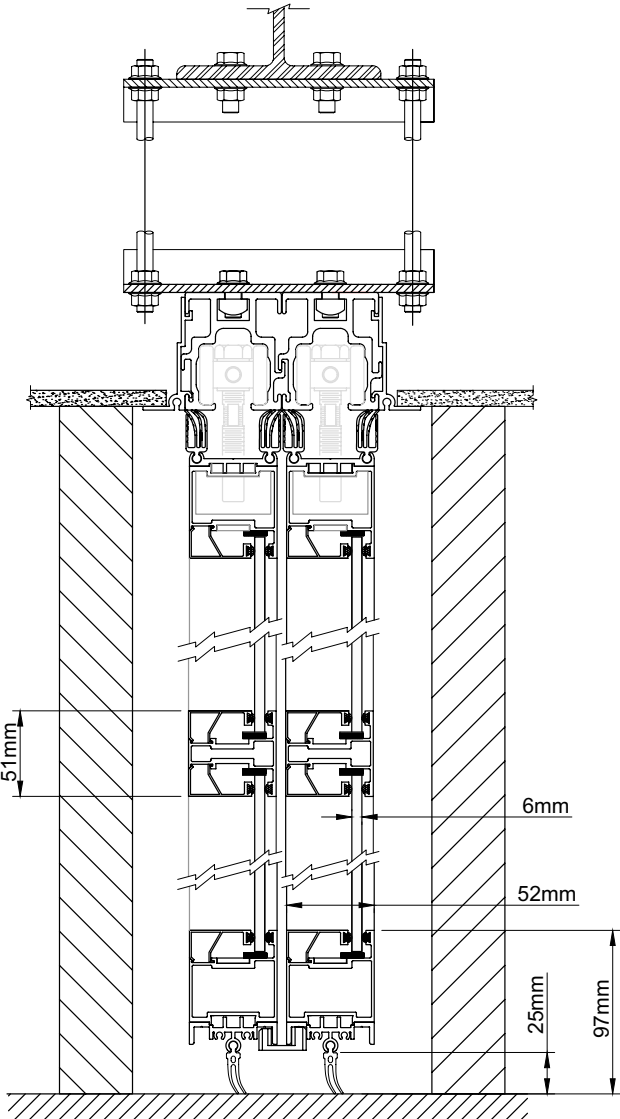
Tempered or laminated glass

##### TOP AND BOTTOM SEALS

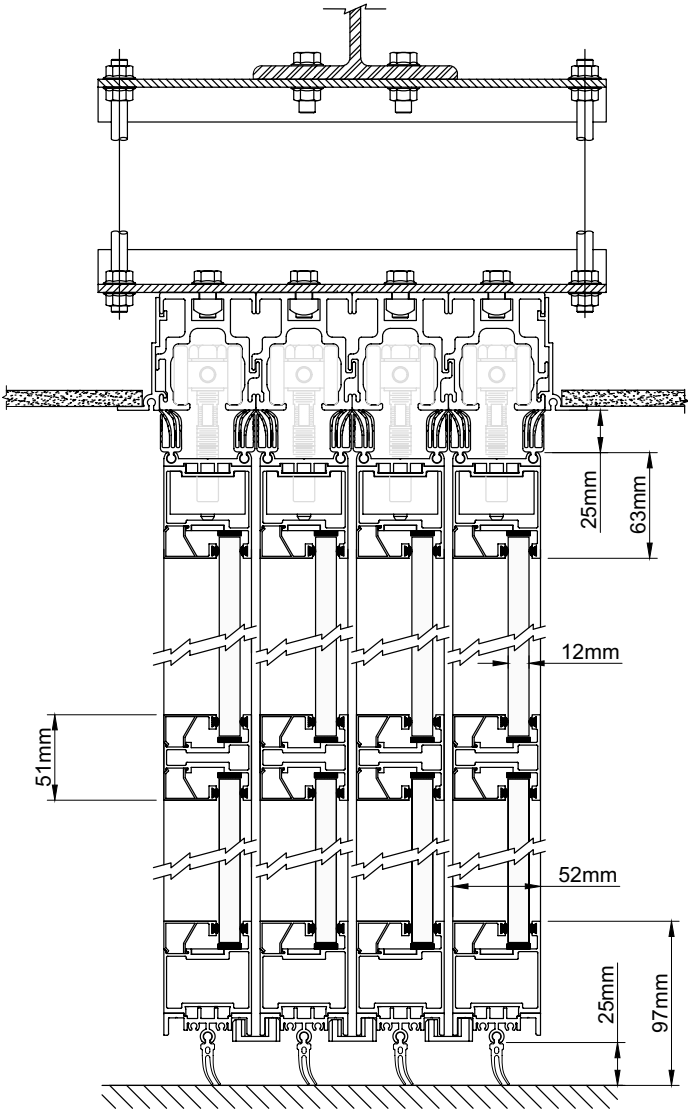
Flexible sound seals

**VERTICAL SECTIONS**

**6 MM GLASS**

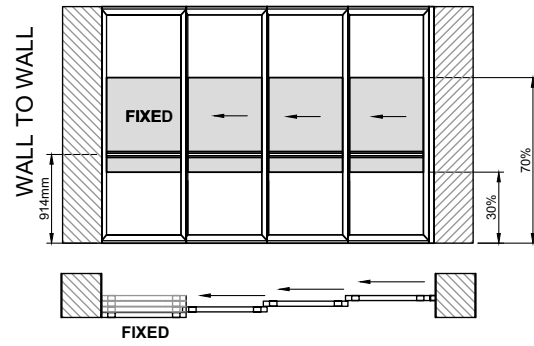


**12 MM GLASS**

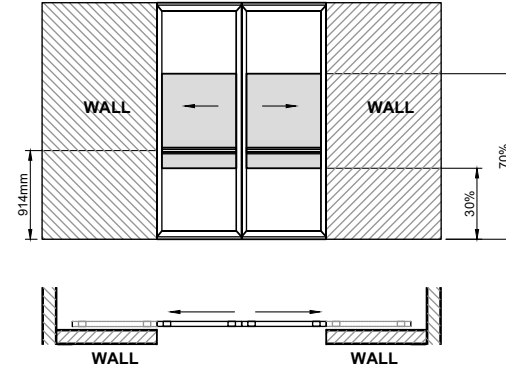
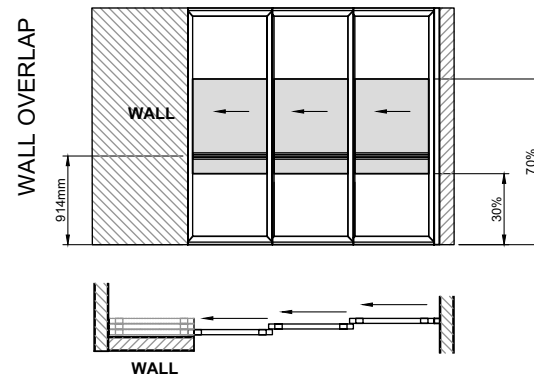
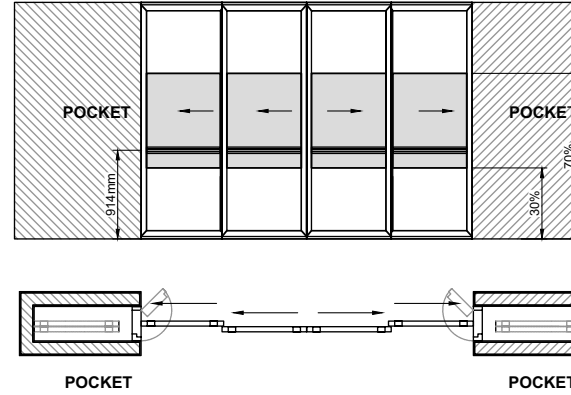
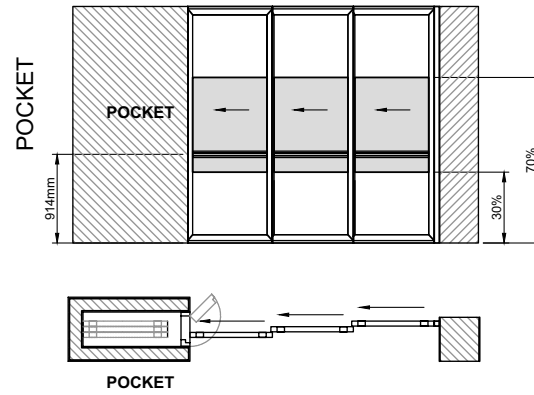
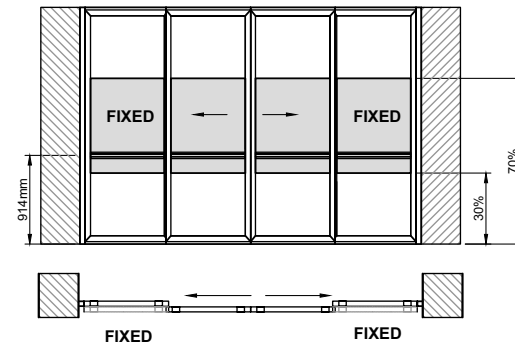


# STANDARD CONFIGURATIONS

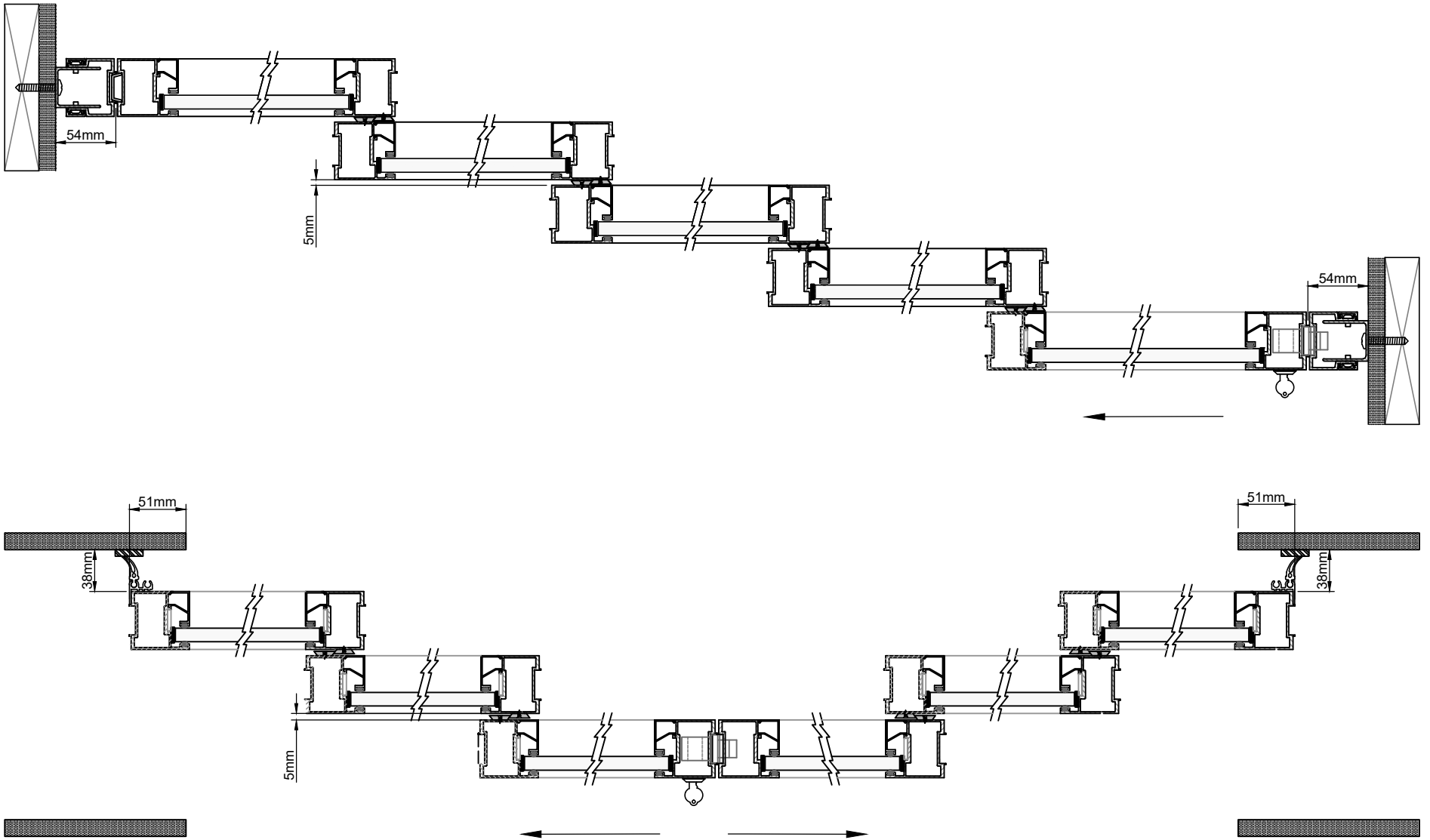
## SIDE TRACK



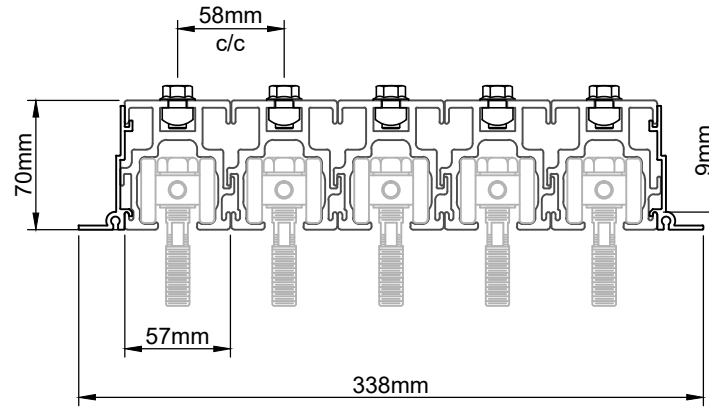
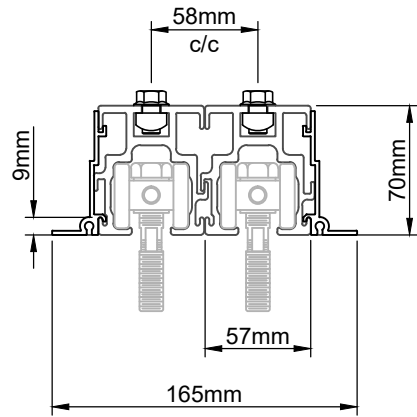
## BIPARTING



# HORIZONTAL SECTIONS



## TRACKS AND TROLLEYS



## TRACK SUSPENSIONS

