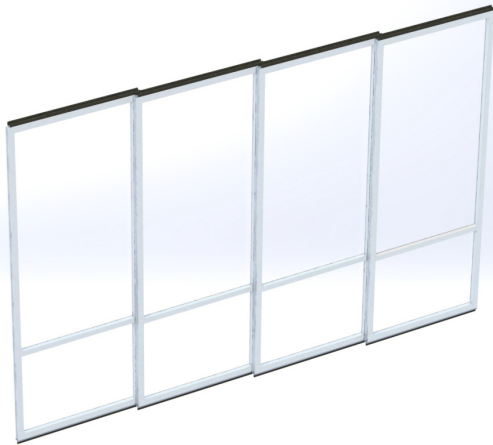


CORFLEX



G500P SERIES

Slim framed parallel stacking glass partitions

FEATURES

- Sliding system with parallel tracks
- Anodized aluminum frames
- Top supported system
- Up to 6 parallel tracks
- Horizontal mullions
- Possibility of replacing glass with other materials
- Recessed handle with available lock

PROPERTIES

6 MM GLASS

MAXIMUM HEIGHT PER PANEL

3048mm (10 ft) with mullions

MAXIMUM WIDTH PER PANEL

1219mm (4 ft)

SYSTEM WEIGHT

17,1 kg/m² - (3,5 lbs/ft²)

TYPE OF GLASS

Tempered glass

TOP AND BOTTOM SEALS

Flexible sound seals

12 MM GLASS

MAXIMUM HEIGHT PER PANEL

3048mm (10 ft) with mullions

MAXIMUM WIDTH PER PANEL

1219mm (4 ft)

SYSTEM WEIGHT

30,4 kg/m² - (6,2 lbs/ft²)

TYPE OF GLASS

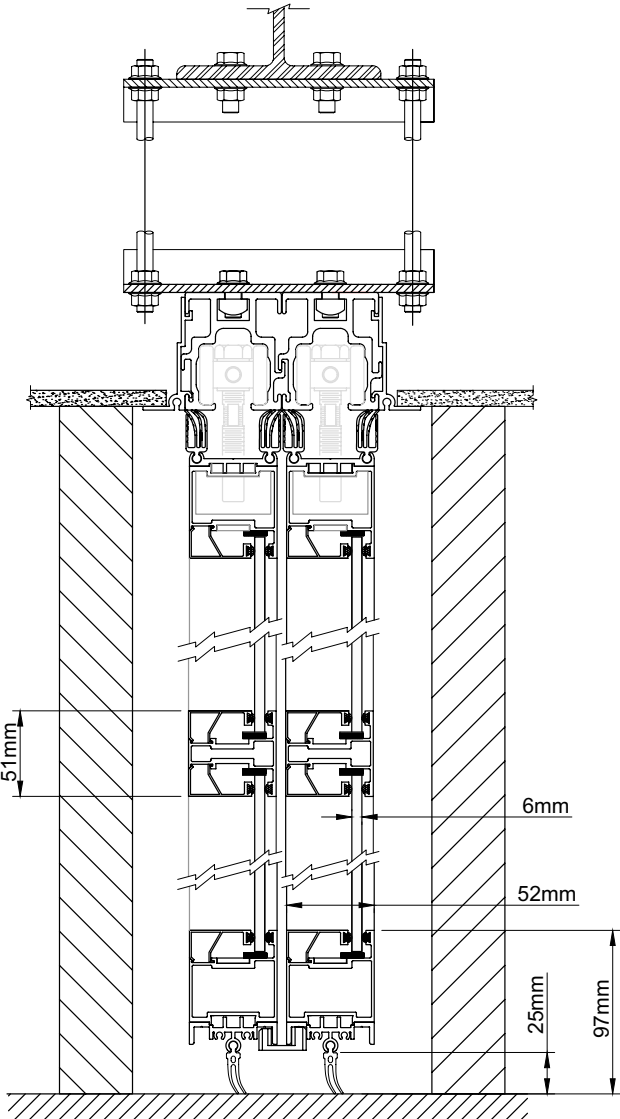
Tempered or laminated glass

TOP AND BOTTOM SEALS

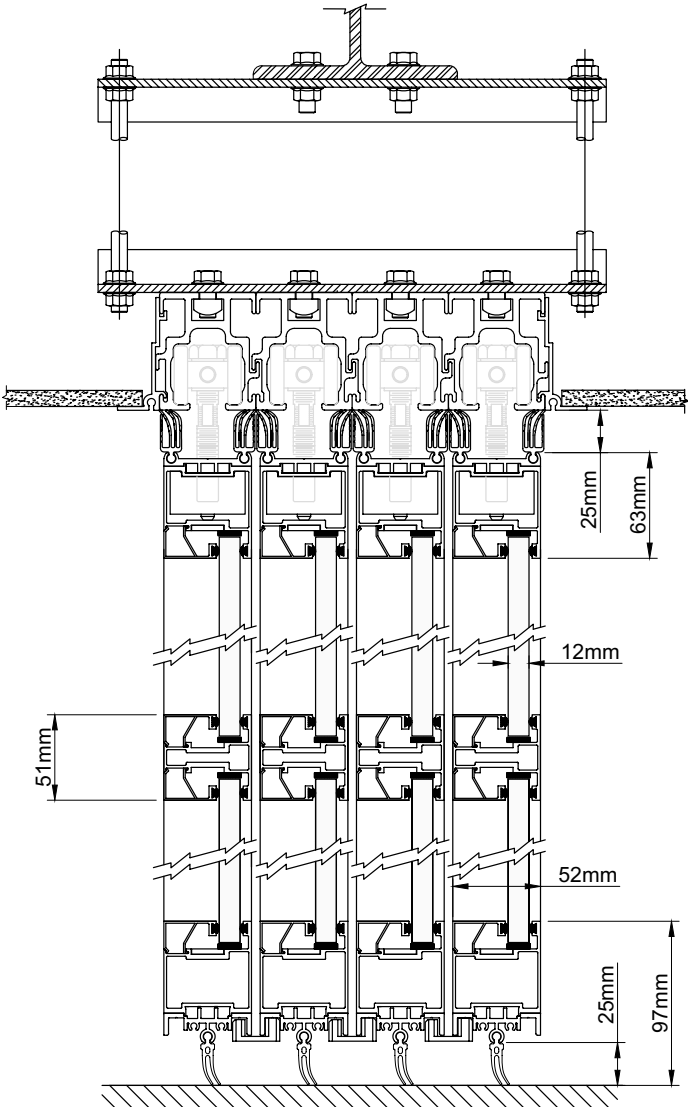
Flexible sound seals

VERTICAL SECTIONS

6 MM GLASS

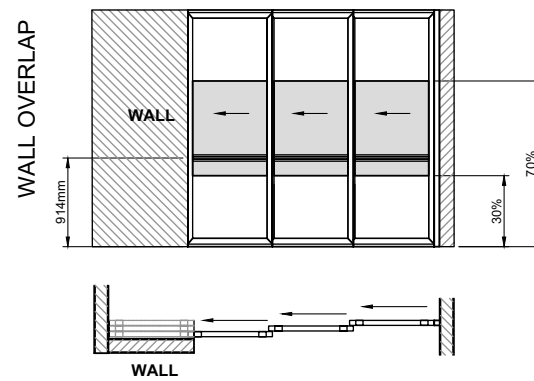
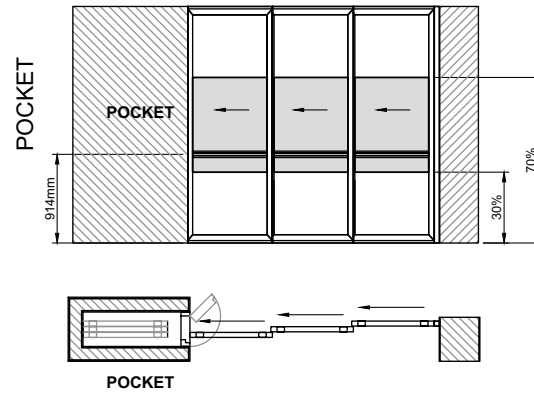
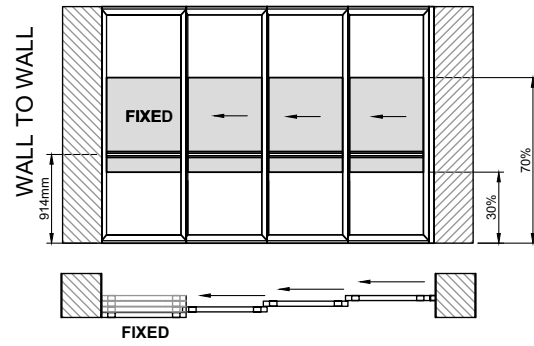


12 MM GLASS

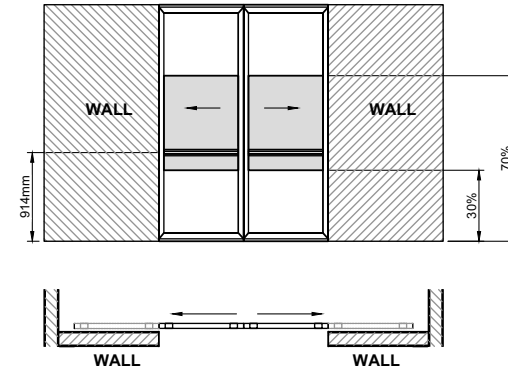
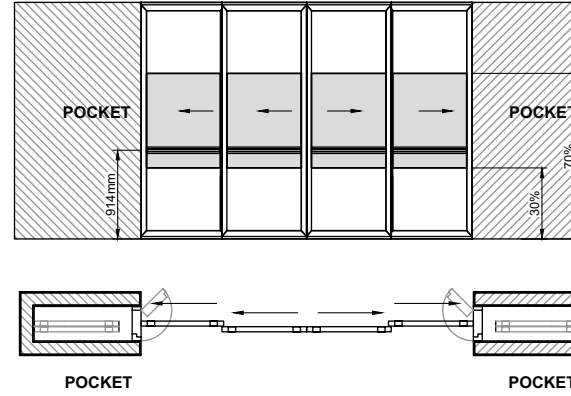
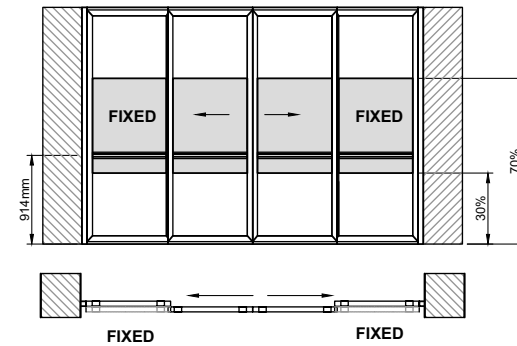


STANDARD CONFIGURATIONS

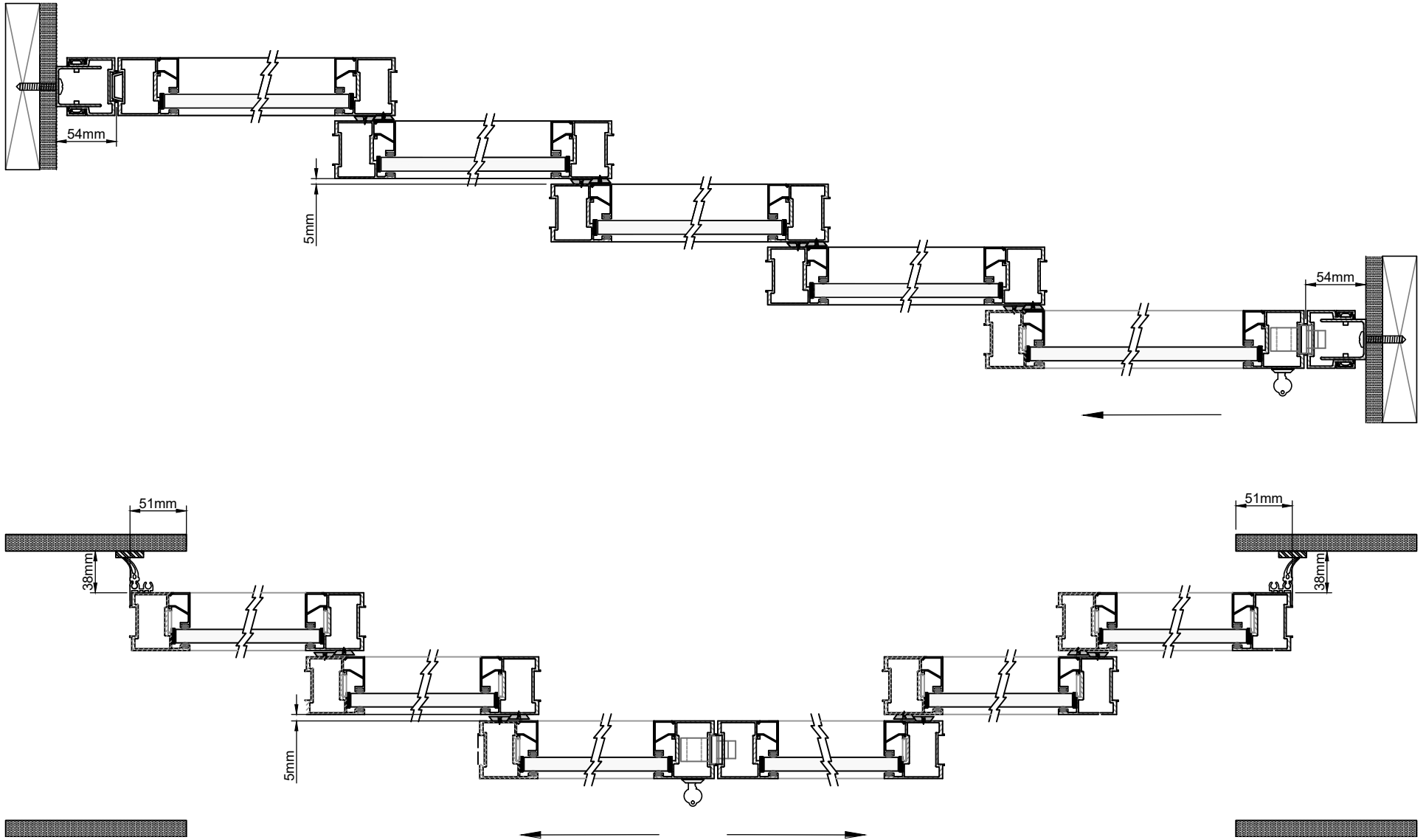
SIDE TRACK



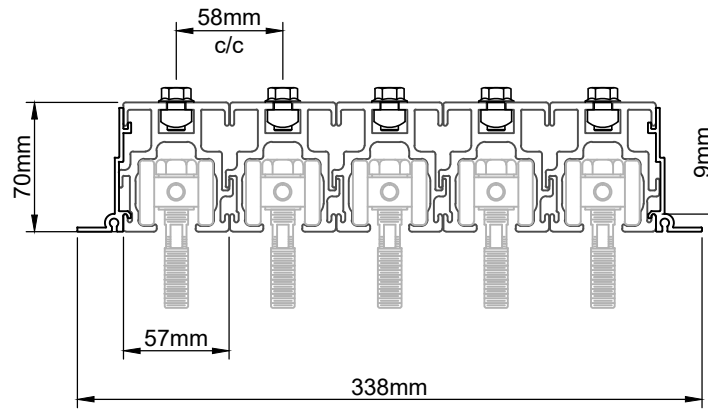
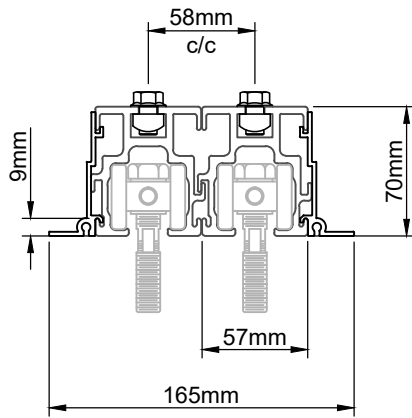
BIPARTING



HORIZONTAL SECTIONS



TRACKS AND TROLLEYS



TRACK SUSPENSIONS

