

CORFLEX



G502 SERIES

Acoustic glass movable partitions with slim frames
Paired panels

FEATURES

- Anodized aluminum framing
- Top supported system
- No floor track
- Preparation for card reader (optional with hinged door)
- Optional horizontal mullions
- Optional panic bar
- Possibility of replacing glass with other materials
- Panel thickness: 51mm
- No visible screw

PROPERTIES

6MM GLASS

MAXIMUM HEIGHT PER PANEL

3048mm (10') with mullion

MAXIMUM WIDTH PER PANEL

1219mm (4')

SYSTEM WEIGHT

17,1 kg/m² (3,5 lbs/ft²)

GLASS TYPE

Tempered glass

TOP AND BOTTOM SEALS

Flexible sound seals

12MM GLASS

MAXIMUM HEIGHT PER PANEL

3048mm (10') with mullion

MAXIMUM WIDTH PER PANEL

1219mm (4')

SYSTEM WEIGHT

30,4 kg/m² (6,2 lbs/ft²)

GLASS TYPE

Tempered or laminated glass

TOP AND BOTTOM SEALS

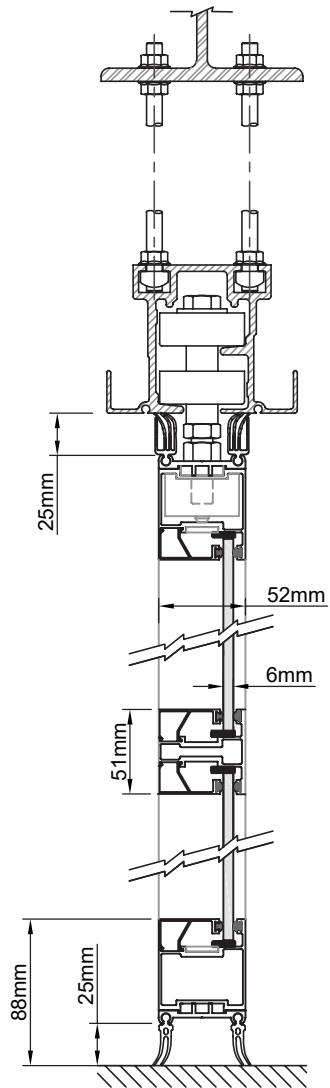
Flexible sound seals

ACOUSTICAL PERFORMANCE

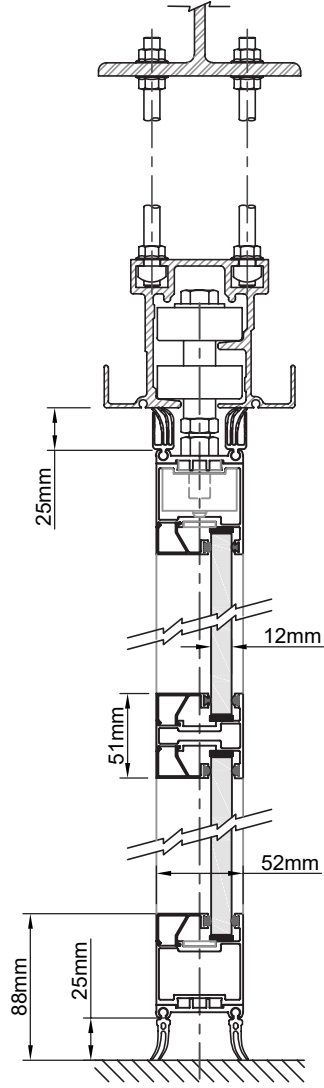
38 STC

VERTICAL SECTIONS

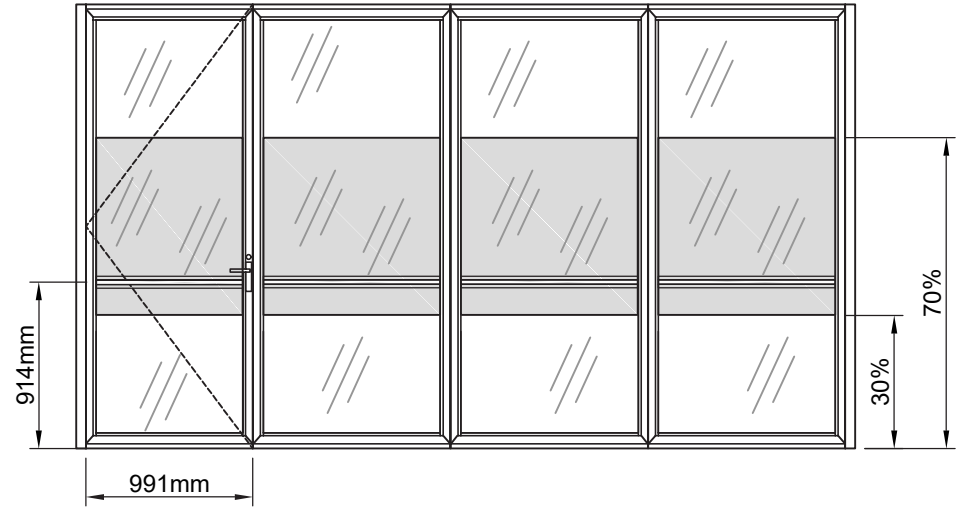
6MM GLASS



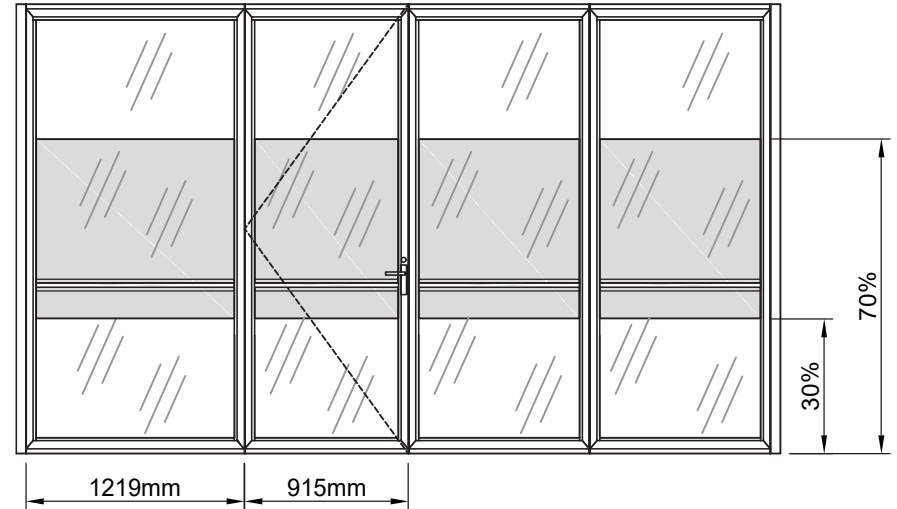
12MM GLASS



ELEVATIONS

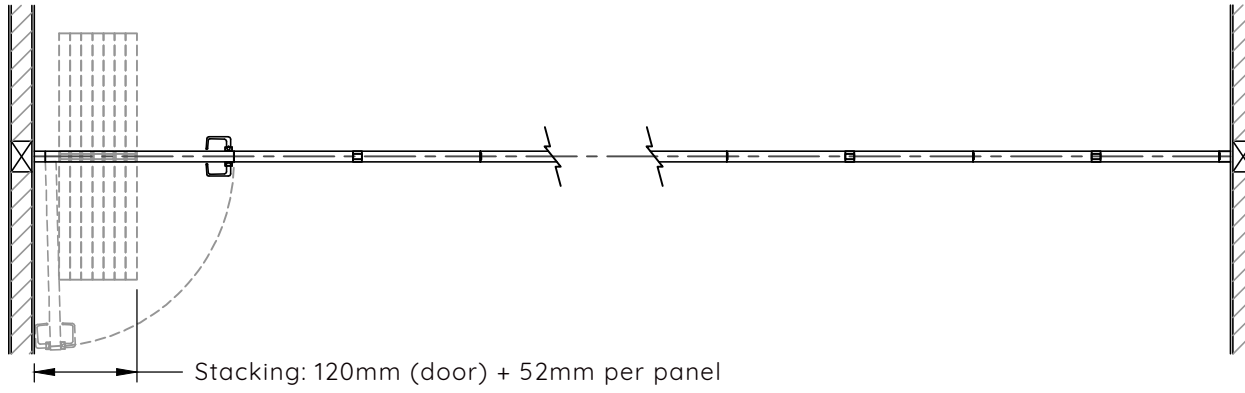


HINGED DOOR

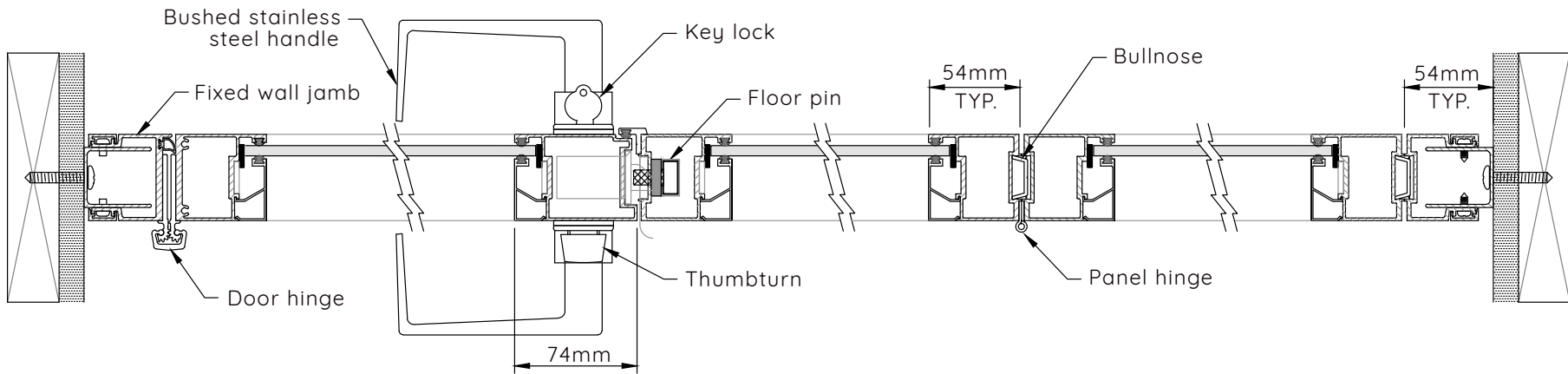


INTERMEDIATE DOOR

STANDARD CONFIGURATION



HORIZONTAL SECTION

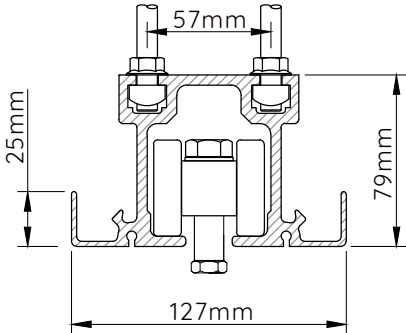


TRACK AND CARRIER

MAX. WEIGHT PER PANEL

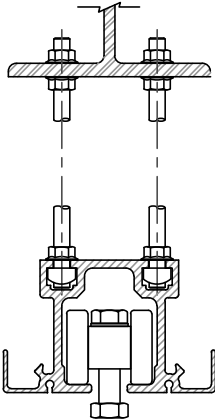
205 kg (450 lbs)

* wheel carriers #40

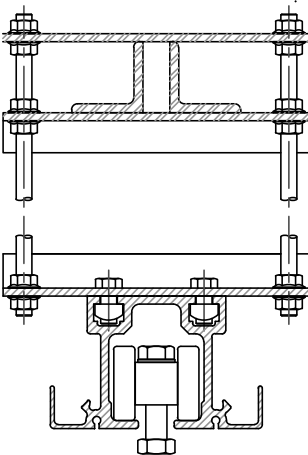


TRACK #40

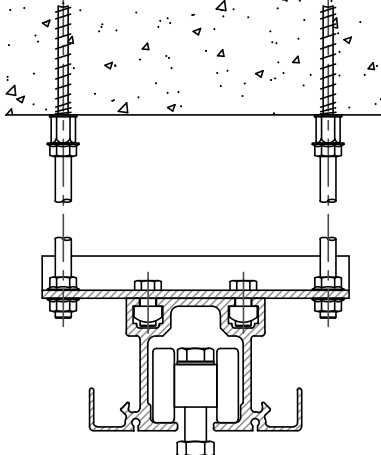
TRACK SUSPENSIONS



STEEL BEAM



JOIST



CONCRETE ANCHORING