

CORFLEX



G600P SERIES

Frameless movable glass wall with parallel stacking

FEATURES

- Anodized aluminum shoes
- Top supported system
- Up to 5 parallel tracks
- No floor track
- No vertical trims
- Floor lock on all panels
- Choice of 2 profiles
- Optional stainless steel shoe cover

PROPERTIES

MAXIMUM HEIGHT PER PANEL

3048mm (10'')

MAXIMUM WIDTH PER PANEL

1219mm (4'')

PARTITION WEIGHT

31,7 kg/m² - (6,5 lbs/ft²)

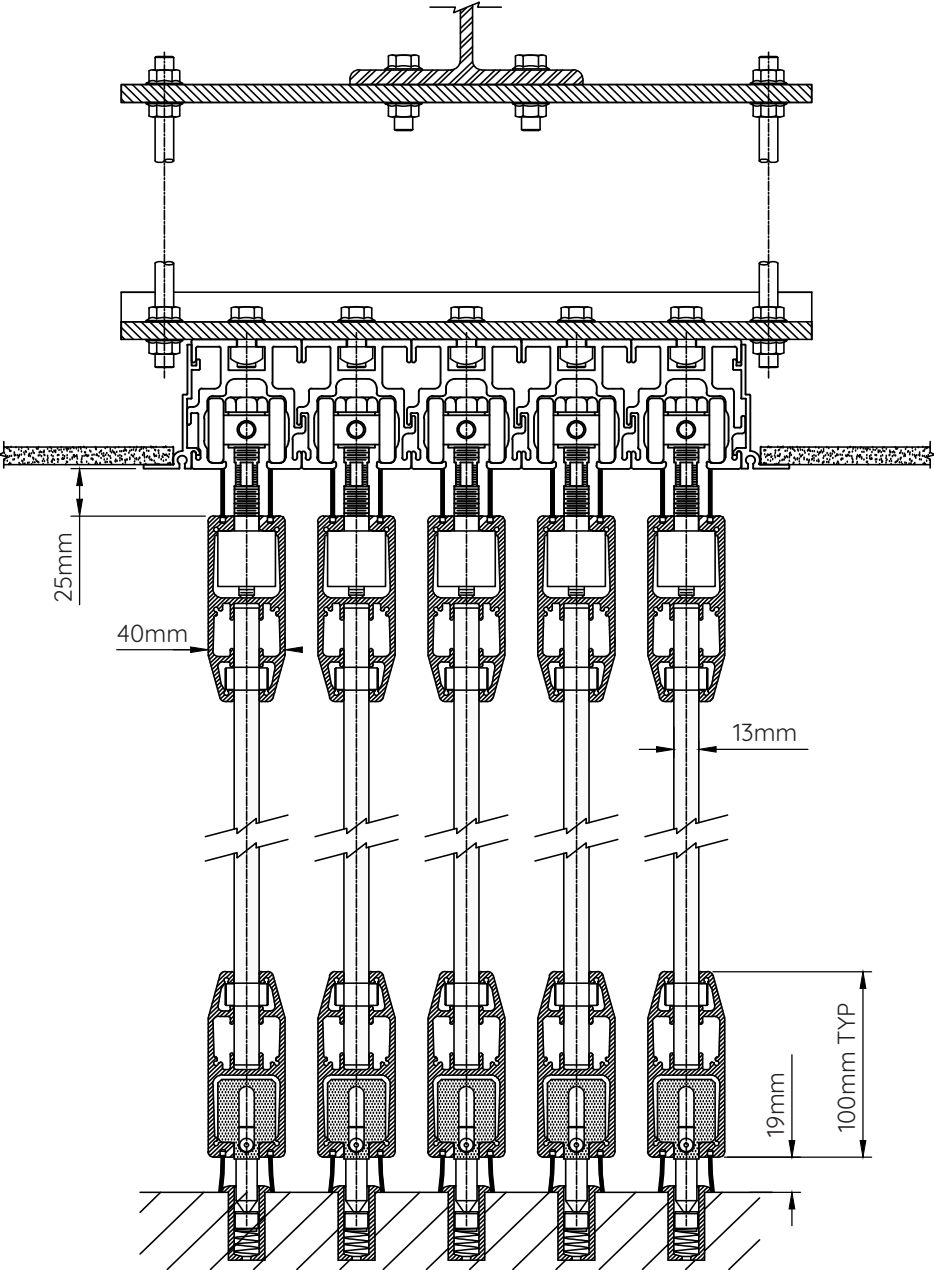
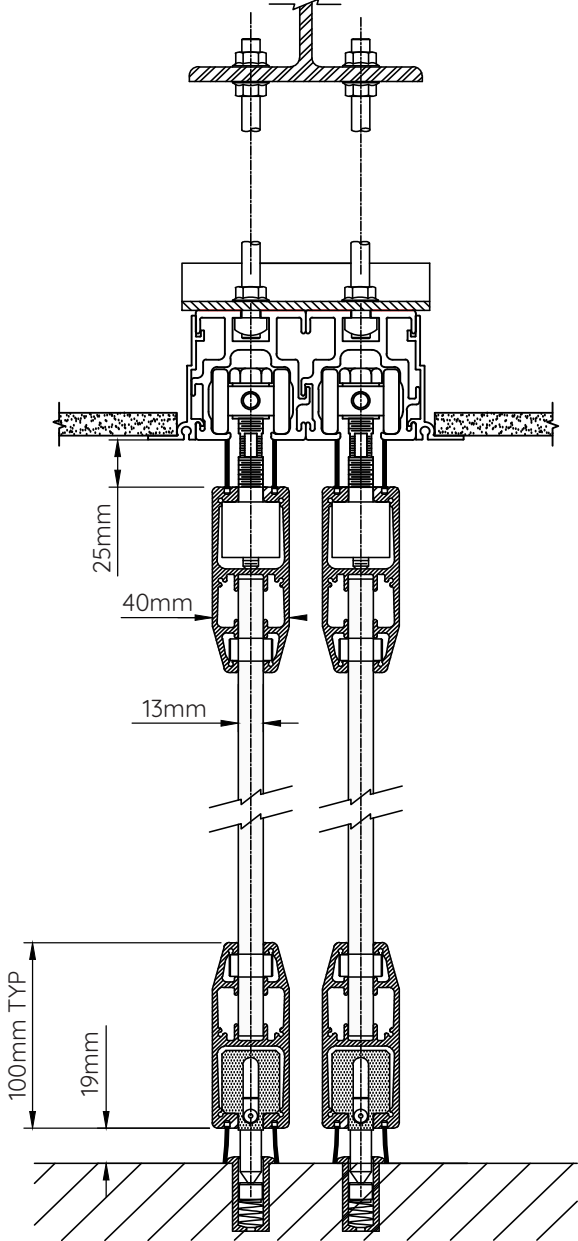
TYPE OF GLASS

Tempered 12 mm glass

TOP AND BOTTOM SEALS

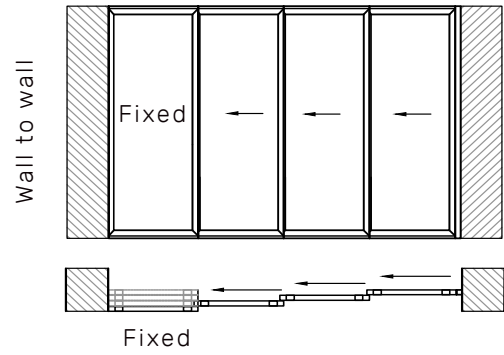
Brushes

VERTICAL SECTION

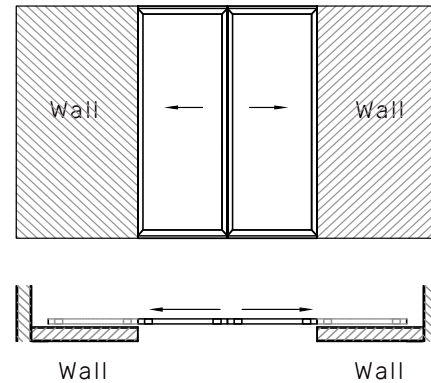
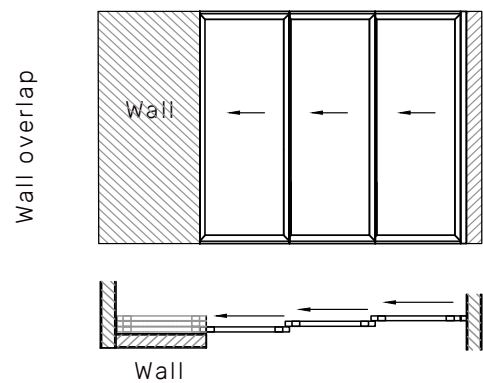
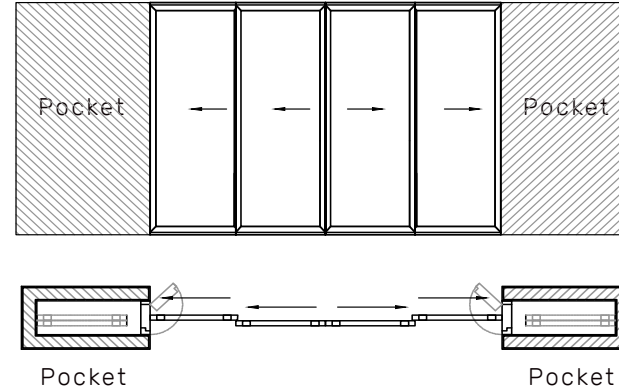
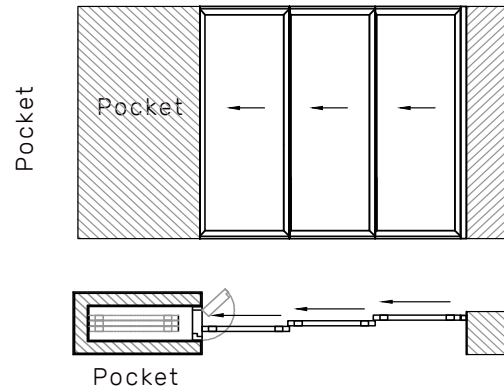
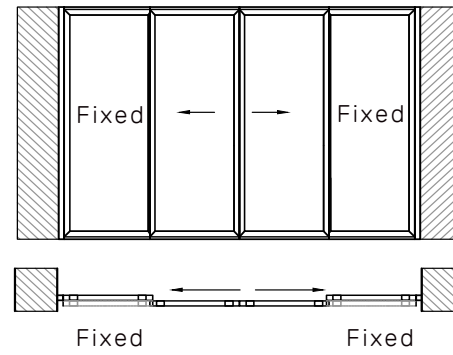


STANDARD CONFIGURATIONS

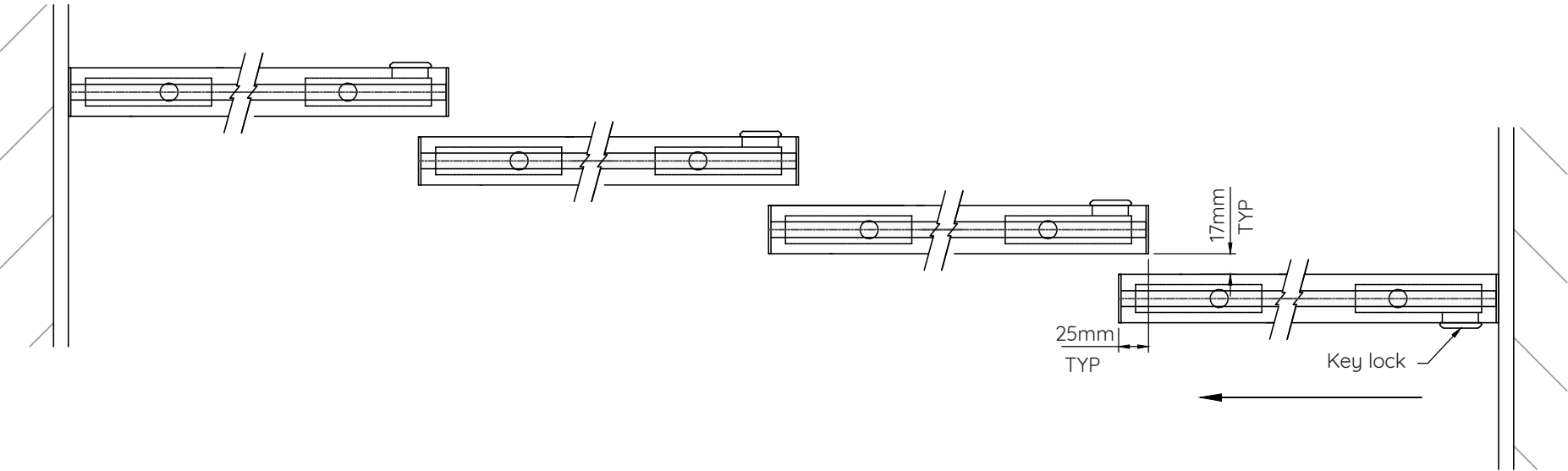
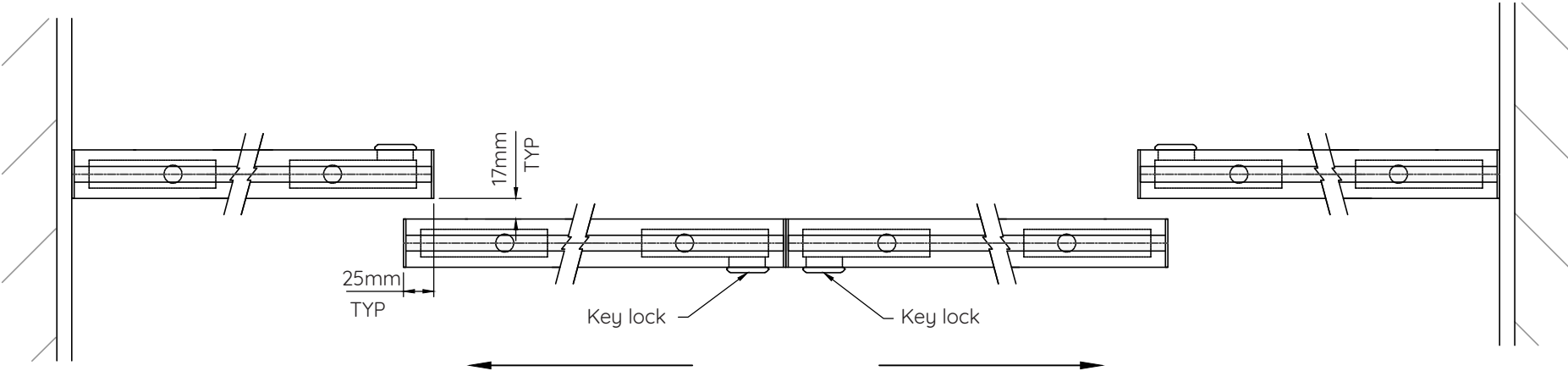
SIDE TRACK



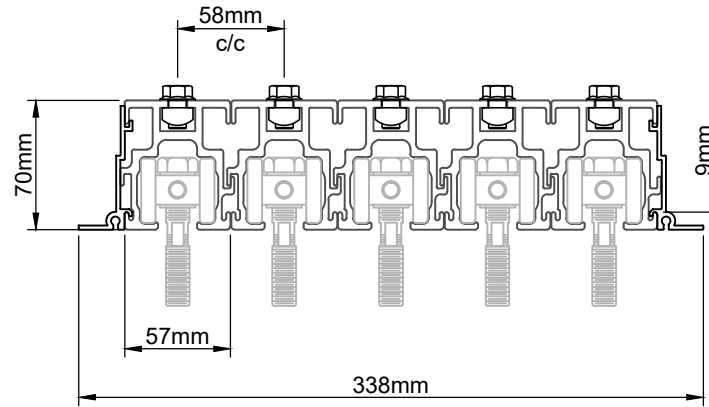
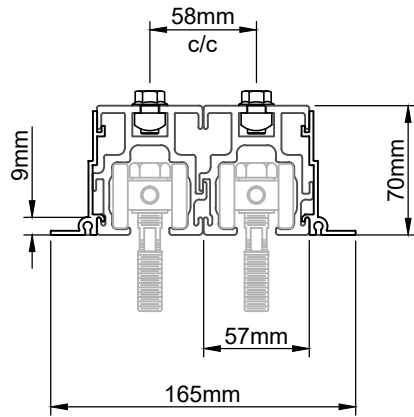
BIPARTING



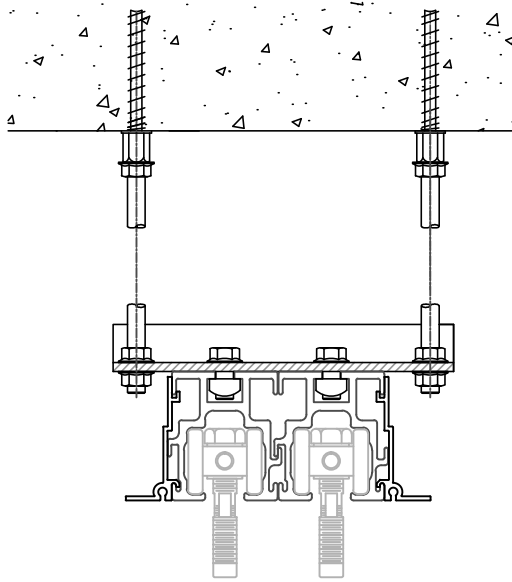
HORIZONTAL SECTIONS



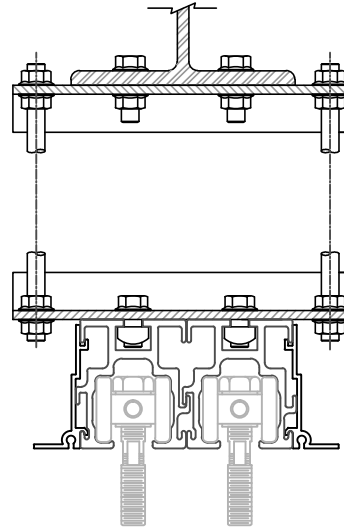
TRACKS AND CARRIERS



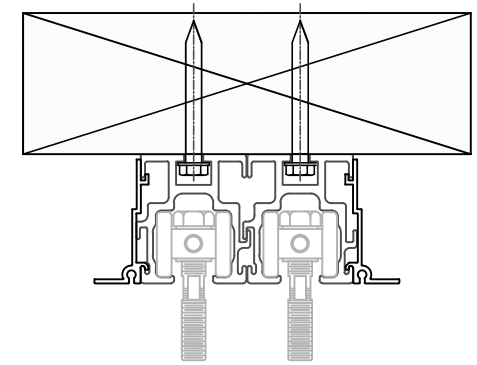
TRACK SUSPENSIONS



STEEL BEAM



WOODEN STRUCTURE



CONCRETE ANCHORING