

# CORFLEX



## G600M SERIES

Motorized operable glass wall

### FEATURES

- Motorized deployment/storage
- Anodized aluminum shoes
- Top supported system
- Floor recessed guide rail
- No vertical trims
- Choice of 2 profiles
- Optional stainless steel shoe cover
- Straight line movement by activation of the electric motor
- 10" shoe with floor angle for sterile environment

### PROPERTIES

#### MAXIMUM HEIGHT PER PANEL

3048mm (10')

#### MAXIMUM WIDTH PER PANEL

1219mm (4')

#### PARTITION WEIGHT

31,7 kg/m<sup>2</sup> (6,5lbs/ft<sup>2</sup>)

#### TYPE OF GLASS

Tempered glass 12mm

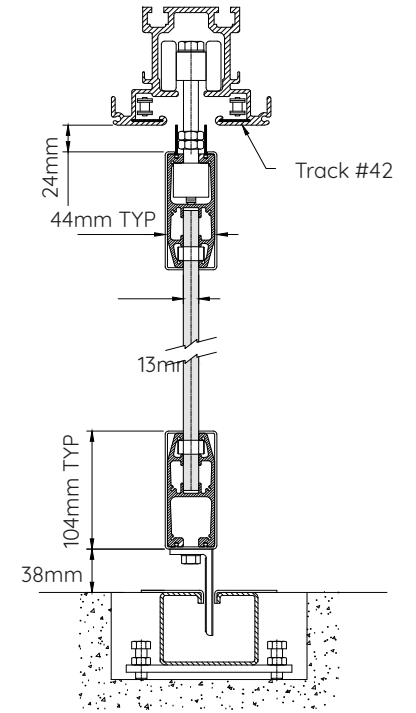
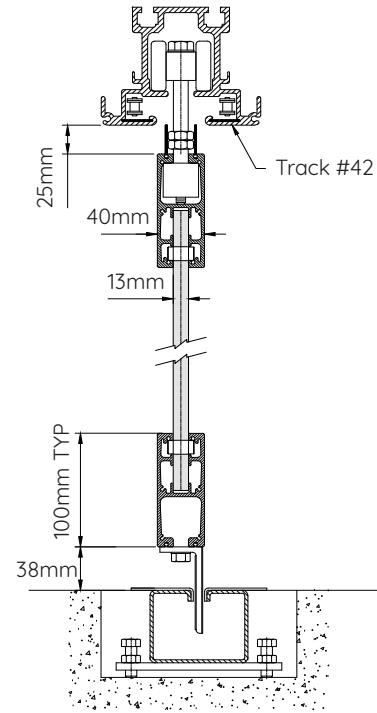
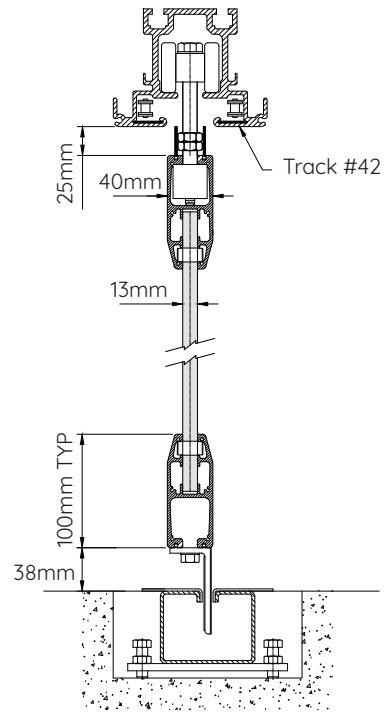
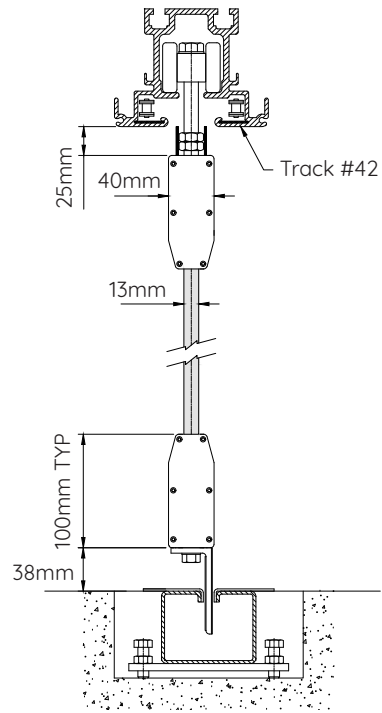
#### TOP SEALS

Brushes

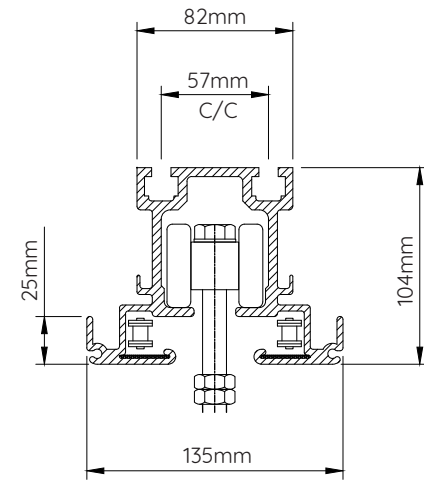
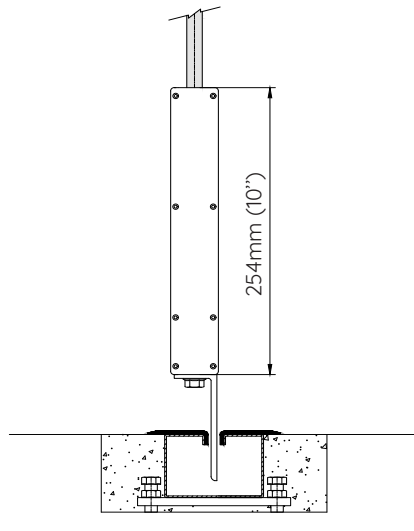
#### BOTTOM SEALS

Teflon covered steel guides

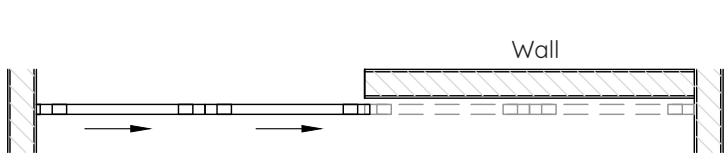
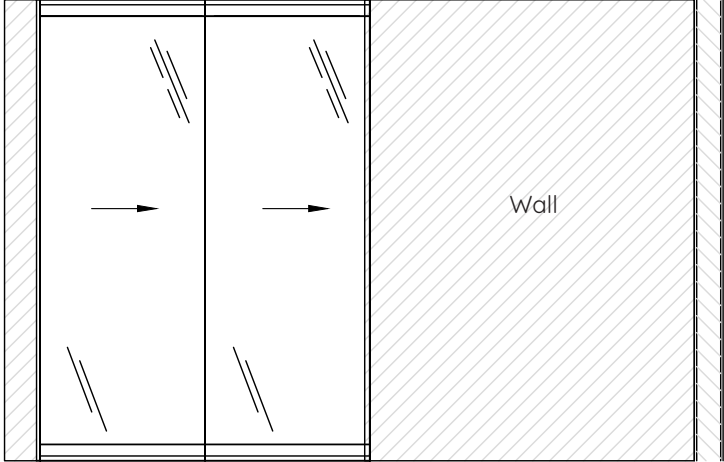
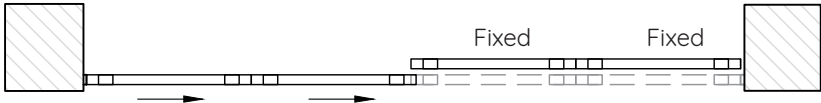
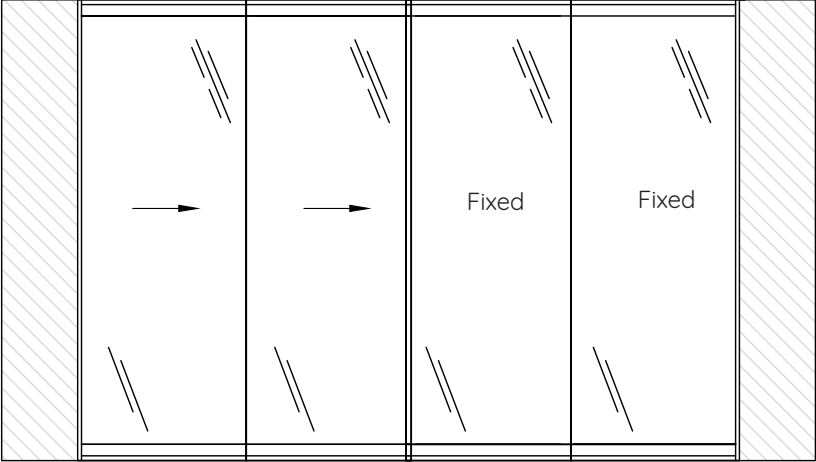
## VERTICAL SECTIONS



## HOOF OPTIONS

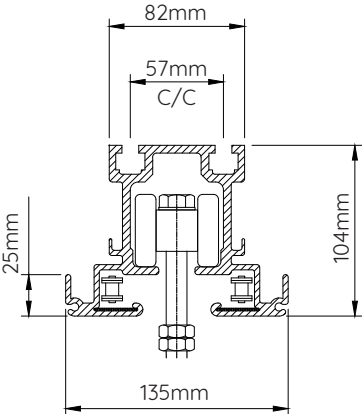


**STANDARD CONFIGURATIONS AND ELEVATIONS**



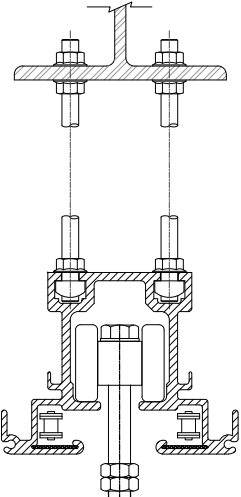
**TRACK AND CARRIER**

**MAX. WEIGHT PER PANEL**  
205 kg (450 lbs)

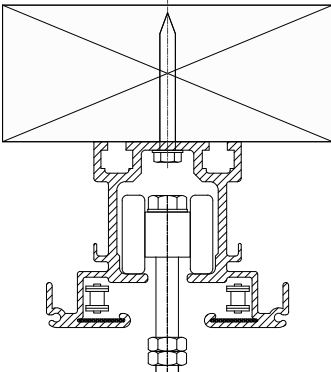


**TRACK #42**

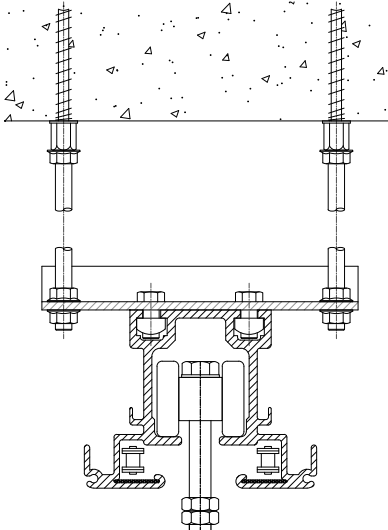
**TRACKS SUSPENSIONS**



**STEEL BEAM**



**JOIST**



**CONCRETE ANCHORING**